



# 56 Spring-Loaded Plunger

## Lever Actuated · Press-in and Flare-in Styles · Small Size

- Simplified positioning of sliding components
- Quick-release lever for fast installation and removal of components
- Designate access with color

### Material and Finish

Stud: Steel, hardened, zinc plated, chromate plus sealer  
 Ferrule: Steel, zinc plated, chromate plus sealer  
 Spring and Rivet: 300 series stainless steel, passivated  
 Lever: Glass-filled nylon, UL94-V0 Rated  
 Washer: PC/ABS, UL94-V0 Rated

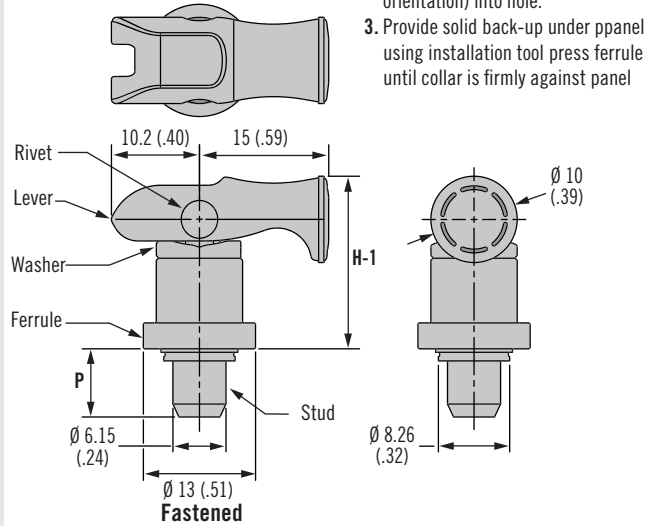
### Part Number

See table

### Specifying Prism Color

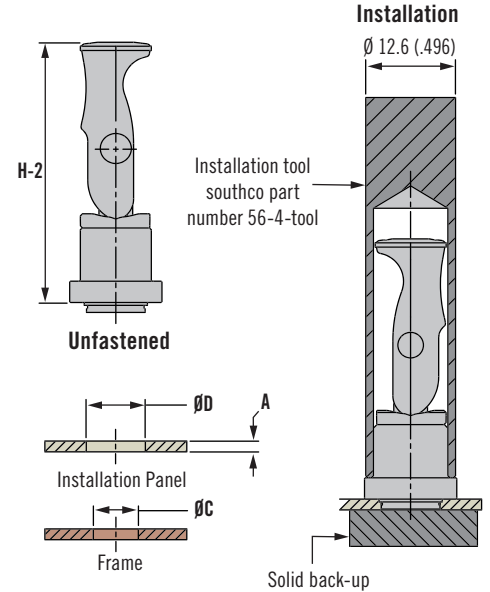
To indicate color, change the last three digits of the part number.  
 Example: 56-461-000, black; 56-461-013, red

### Press-in Style

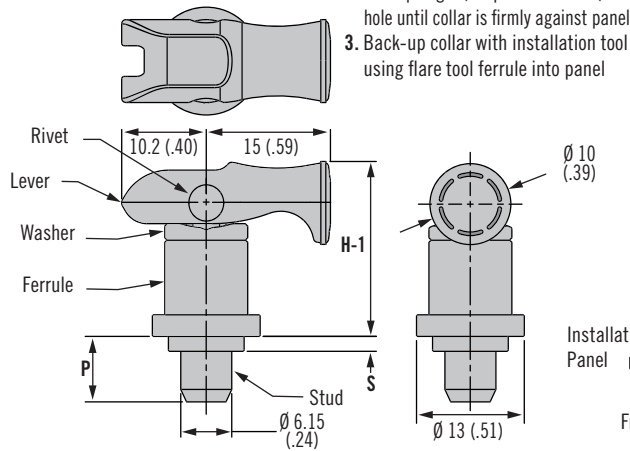


### Installation:

1. Prepare hole in panel.
2. Place plunger (in unfastened orientation) into hole.
3. Provide solid back-up under ppanel using installation tool press ferrule until collar is firmly against panel

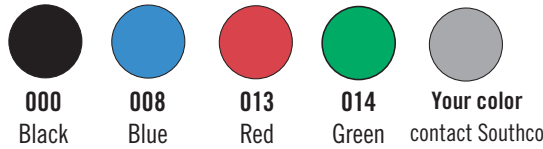
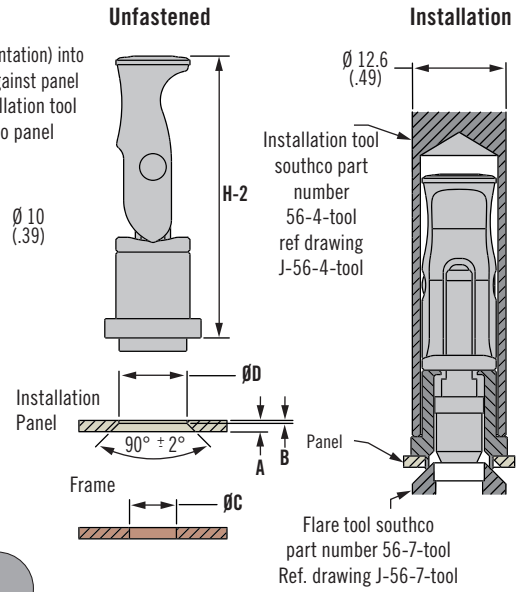


### Flare-in Style



### Installation:

1. Prepare hole in Panel.
2. Place plunger (in open orientation) into hole until collar is firmly against panel
3. Back-up collar with installation tool using flare tool ferrule into panel



(shown in table)

Outer Panel		P	B	S	Installation	Part Number	H-1	H-2	Ø D	Ø C
A Min.	A Max.					Hold-Open				
1.52 (.06)	3.8 (.15)	8 (.31)	-	-	Press-in	56-461-000	20 (.79)	36.7 (1.44)	8.33 <sup>+0.07</sup> <sub>-0.0</sub> (.328 <sup>+0.003</sup> <sub>-.000</sub> )	6.35 <sup>+0.07</sup> <sub>-0.0</sub> (.250 <sup>+0.003</sup> <sub>-.000</sub> )
1.52 (.06)	3.18 (.125)	8 (.31)	0.4 (.02)	1.8 (.07)	Flare-in	56-471-1-000	21.1 (.83)	38.1 (1.5)	9.2 <sup>+0.1</sup> <sub>-0.0</sub> (.362 <sup>+0.004</sup> <sub>-.000</sub> )	
3.18 (.125)	4.7 (.185)	9.5 (.37)	1.9 (.08)	3.3 (.13)	Flare-in	56-471-2-000	19.6 (.77)	36.6 (.90)	9.12 <sup>+0</sup> <sub>-0.008</sub> (.359 <sup>+0</sup> <sub>-.003</sub> )	
0.8 (.031)	3.2 (.125)	8.2 (.32)	-	-	Thread-in	56-481-000	19.7 (.78)	36.7 (1.44)		





# 56 Spring-Loaded Plunger

## Flare-in style – Miniature, Small and Large

- Simplified positioning of sliding components
- Quick-release hinge for removable door
- Fast installation and removal of components
- Designate access with color

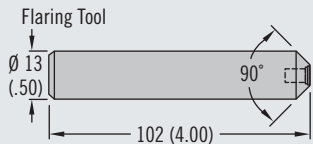
### Material and Finish

End cap: Steel, zinc plated, chromate, plus sealer  
 Ferrule: Aluminum, natural  
 Stud: Steel, hardened, zinc plated, chromate, plus sealer  
 Knob: (Prism plungers only)  
 PC/ABS, UL94-V0 Rated  
 Spring: 300 series stainless steel, passivated

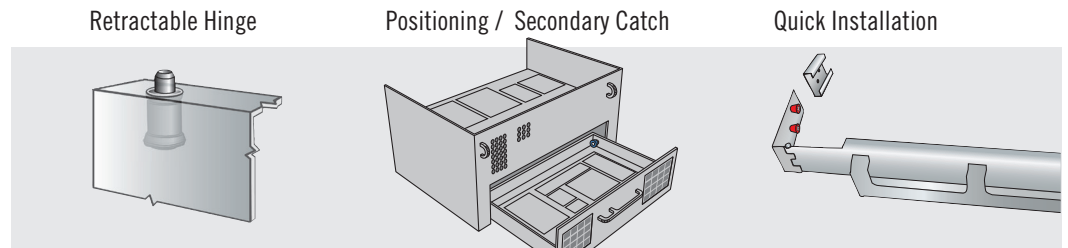
### Installation Notes

Press with approximately 2,500 N (562 lbf) (Large and Small), 2,000 N (450 lbf) (Mini) until ferrule is flared into the countersink in the panel.  
 A solid back-up tool must be used for proper installation

### Install Tool

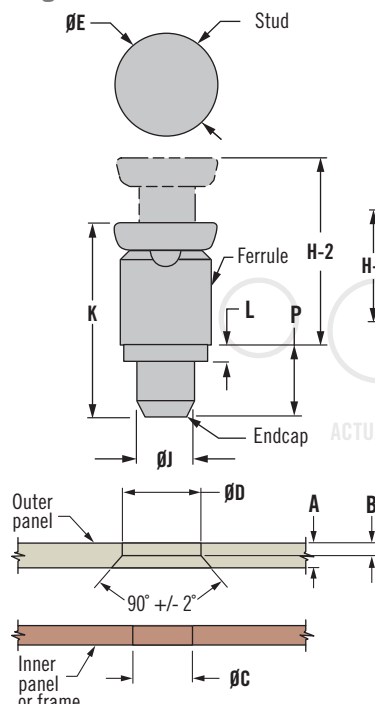


### Applications

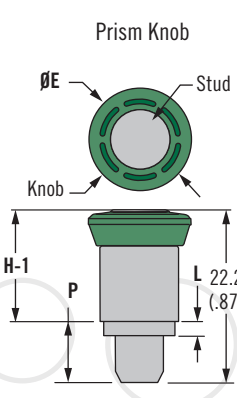


### Flare-in style

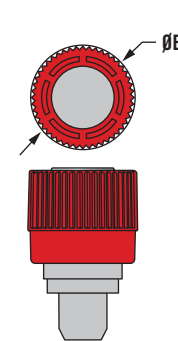
#### Bright - Miniature and Small



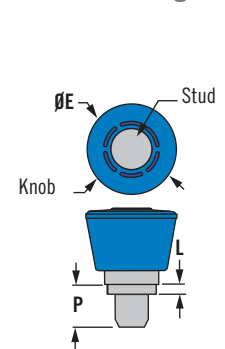
#### Prism - Miniature and Small



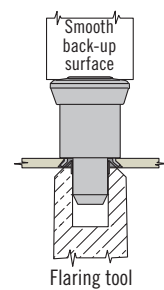
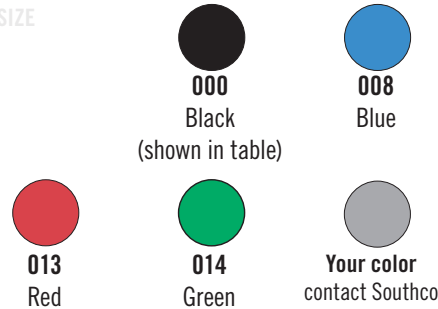
#### 4C-Prism Knob



#### Prism - Large



ACTUAL SIZE



Part number:  
 47-110 (Miniature)  
 56-7-TOOL (Large and Small)

### Part Number

See table

### Specifying Prism Color

To indicate color, change the last three digits of the part number.  
 Example:  
 56-161-000, black  
 56-161-013, red

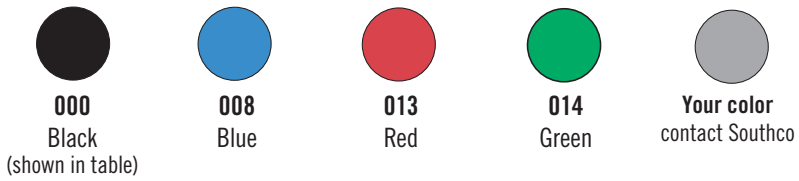
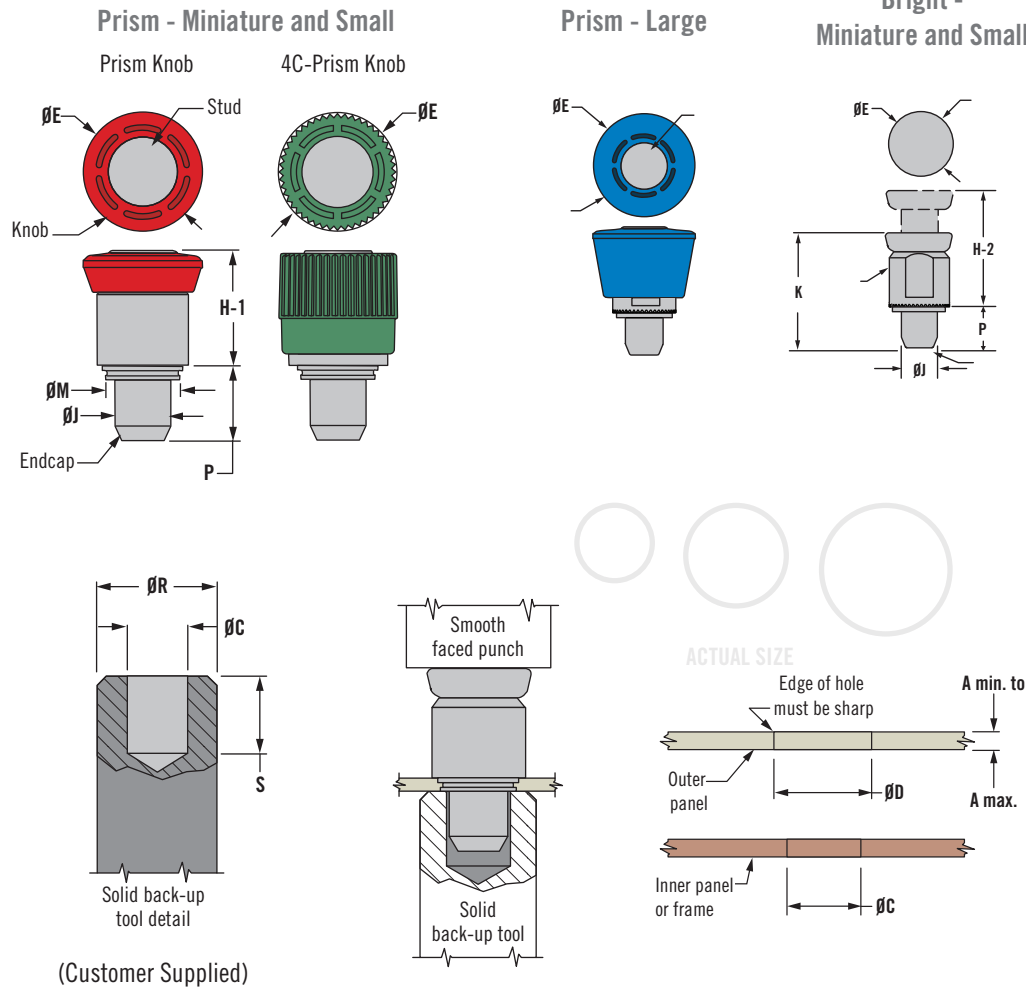
Outer Panel Thickness		P	Size	Knob Style	Part Number		H-1	H-2	ø E	K	L	B	ø J	ø D	ø C
A Min.	A Max.				Hold-Open	Without									
0.8 (.031)	1.5 (.06)	4.4 (.17)	Mini	Bright	56-21-1-15	56-20-1-15	9.9 (.39)	13.6 (.54)	8.5 (.33)	14.3 (.56)	1.0 (.04)	0.41 (.016)	4.29 (.169) MAX	6.76 <sup>+0.1</sup> <sub>0.0</sub>	4.3 <sup>+0.13</sup> <sub>0.0</sub>
				Prism	56-121-1-000	56-120-1-000	10.6 (.42)	14.3 (.56)	9 (.35)	15 (.59)					
				4C-Prism	56-321-1-000	56-320-1-000	10.6 (.42)	14.3 (.56)	9 (.35)	15 (.59)					
				Bright	56-21-2-15	56-20-2-15	9.1 (.36)	12.8 (.50)	8.5 (.33)	14.3 (.56)					
				Prism	56-121-2-000	56-120-2-000	9.8 (.39)	13.5 (.53)	9 (.35)	15 (.59)					
				4C-Prism	56-321-2-000	56-320-2-000	9.8 (.39)	13.5 (.53)	9 (.35)	15 (.59)					
1.5 (.06)	2.3 (.09)	5.2 (.20)	Small	Bright	56-71-1-15	56-70-1-15	13.7 (.54)	19.8 (.78)	11.5 (.45)	21.5 (.85)	1.78 (.07)	0.41 (.016)	6.33 (.249)	9.19 <sup>+0.08</sup> <sub>0.0</sub>	6.4 <sup>+0.1</sup> <sub>0.0</sub>
				Prism	56-171-1-000	56-170-1-000	14.5 (.57)	20.5 (.81)	13.3 (.52)	22.2 (.87)					
				4C-Prism	56-371-1-000	56-370-1-000	14.5 (.57)	20.5 (.81)	13.3 (.52)	22.2 (.87)					
				Bright	56-71-2-15	56-70-2-15	12.2 (.48)	18.2 (.72)	11.5 (.45)	21.5 (.85)					
				Prism	56-171-2-000	56-170-2-000	12.9 (.51)	19 (.75)	13.3 (.52)	22.2 (.87)					
				4C-Prism	56-371-2-000	56-370-2-000	12.9 (.51)	19 (.75)	13.3 (.52)	22.2 (.87)					
3.17 (.125)	4.7 (.185)	9.4 (.37)	Large	Bright	56-71-2-15	56-70-2-15	12.2 (.48)	18.2 (.72)	11.5 (.45)	21.5 (.85)	3.3 (.13)	1.52 (.06)	6.33 (.249)	9.19 <sup>+0.08</sup> <sub>0.0</sub>	6.4 <sup>+0.1</sup> <sub>0.0</sub>
				Prism	56-171-2-000	56-170-2-000	12.9 (.51)	19 (.75)	13.3 (.52)	22.2 (.87)					
				4C-Prism	56-371-2-000	56-370-2-000	12.9 (.51)	19 (.75)	13.3 (.52)	22.2 (.87)					
				Bright	56-71-2-15	56-70-2-15	12.2 (.48)	18.2 (.72)	11.5 (.45)	21.5 (.85)					
				Prism	56-171-2-000	56-170-2-000	12.9 (.51)	19 (.75)	13.3 (.52)	22.2 (.87)					
				4C-Prism	56-371-2-000	56-370-2-000	12.9 (.51)	19 (.75)	13.3 (.52)	22.2 (.87)					

# 56 Spring-Loaded Plunger

## Press-in style – Miniature, Small and Large



### Press-In Style



- Simplified positioning of sliding components
- Quick-release hinge for removable door
- Fast installation and removal of components
- Designate access with color

### Material and Finish

End cap: Steel, zinc plated, chromate, plus sealer

Ferrule and stud: Steel, (Large and Small hardened), zinc plated, chromate plus sealer

Knob: (Prism plungers only) PC/ABS, black, UL94-V0 Rated

Spring: 300 series stainless steel, passivated

### Installation Notes

Press knob with approximately 13,400 N (3000 lbf) (Large and Small), 8000 N (1800 lbf) (Mini) for steel, 6700 N (1500 lbf) (Large and Small), 5000 N (1124 lbf) (Mini) for aluminum panels until ferrule sits flush with panel. A solid back-up tool must be used for proper installation.

### Part Number

See table

### Specifying Prism Color

To indicate color, change the last three digits of the part number.

Example:  
56-161-000, black; 56-161-013, red

Outer Panel Thickness		P	Size	Knob Style	Part Number		H-1	H-2	E	K	Ø J	Ø M	Ø D	Ø C	Ø R	S
A Min.	A Max.				Hold-Open	Without										
0.8 (.031)	1.5 (.06)	4.4 (.17)	Mini	Bright	56-11-15	56-10-15	9.2 (.36)	12.9 (.51)	8.5 (.33)	13.6 (.54)	4.29 (.169) MAX	6.6 (.26)	6.7 <sup>+0.08</sup> <sub>-0.1</sub> (.264 <sup>+0.003</sup> <sub>-0.003</sub> )	4.3 <sup>+0.13</sup> <sub>-0.0</sub> (.169 <sup>+0.005</sup> <sub>-0.005</sub> )	9 (.35) MIN	4.5 (.18) MIN
				Prism	56-111-000	56-110-000	9.9 (.39)	13.6 (.54)	9 (.35)	14.3 (.56)						
				4C-Prism	56-311-000	56-310-000	9.9 (.39)	13.6 (.54)	9 (.35)	14.3 (.56)						
1.52 (.06)	3.81 (.15)	8.2 (.32)	Small	Bright	56-61-15	56-60-15	12.2 (.48)	19.3 (.76)	11.5 (.45)	20.4 (.80)	6.33 (.249)	8.26 (.325)	8.4 <sup>+0.0</sup> <sub>-0.1</sub> (.328 <sup>+0.003</sup> <sub>-0.003</sub> )	6.4 <sup>+0.1</sup> <sub>-0.0</sub> (.250 <sup>+0.005</sup> <sub>-0.005</sub> )	13 (.50) MIN	8.26 (.325) MIN
				Prism	56-161-000	56-160-000	13 (.51)	20 (.79)	13.3 (.52)	21.1 (.83)						
				4C-Prism	56-361-000	56-360-000	13 (.51)	20 (.79)	13.3 (.52)	21.1 (.83)						
			Large	Prism	56-261-000	56-260-000	13 (.51)	20 (.79)	17 (.67)	21.1 (.83)						



# 56 Spring-Loaded Plunger

## Thread-in style - Miniature, Small and Large

- Simplified positioning of sliding components
- Quick-release hinge for removable door
- Fast installation and removal of components
- Designate access with color

### Material and Finish

Stud: Steel, hardened, zinc plated, chromate plus sealer

Ferrule and Sleeve: Steel, zinc plated, chromate plus sealer

Spring: 300 series stainless steel passivated

Prism Knob: PC/ABS, UL94-V0 Rated

End cap: Steel, zinc plated, chromate, plus sealer

(Aluminum knob plungers only)

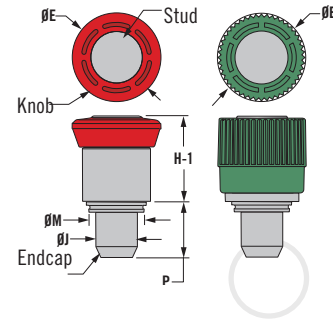
Detent washer: Steel, zinc plated (Hold-open only)

### Part Number

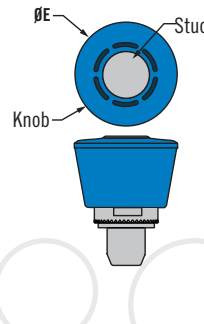
See table

### Thread-in Style

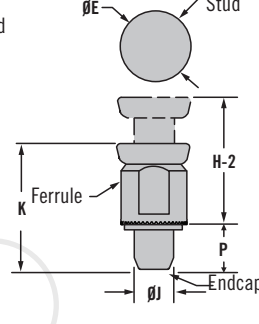
#### Prism - Miniature and Small



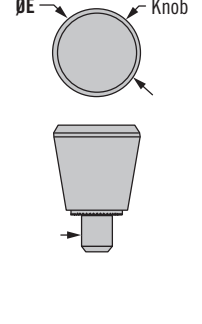
#### Prism - Large



#### Bright Steel Knob



#### Bright Aluminum Knob

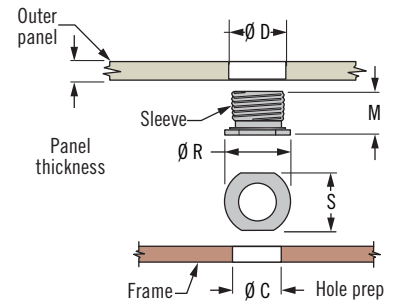
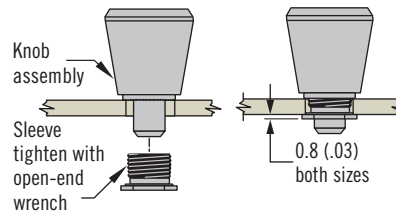
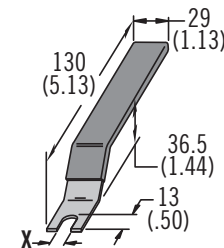


### Specifying Prism Color

To indicate color, change the last three digits of the part number.  
Example: 56-130-000, black; 56-130-013, red



### Installation tool



Size	X (Tool)	Tool Part Number
Mini	7.1 (.28)	56-0-22041-03
Small	9.5 (.38)	56-0-22041-04
Large		

Outer Panel		P	Size	Knob Style	Part Number		H-1	H-2	Ø E	K	Ø J	Ø C	Ø D	M	Ø R	S
Min.	Max.				Hold-Open	Without										
0.8 (.031)	1.5 (.06)	4.4 (.17)	Mini	Bright	—	56-30-15	9.2 (.36)	12.9 (.51)	8.5 (.335)	13.6 (.54)	4.29 (.169) MAX	4.3 +0.08/-0.0 (.17 +.003 -0.000)	7.14 ±0.08 (.281 ±.003)	5.1 (.20)	9 (.35)	7 (.28)
				Prism	—	56-130-000	9.9 (.39)	13.6 (.54)	9 (.354)	14.3 (.56)						
				4C-Prism	—	56-330-000	9.9 (.39)	13.6 (.54)	10 (.354)	14.3 (.56)						
0.8 (.031)	3.2 (.13)	6.9 (.27)	Small	Bright	—	56-80-15	12.2 (.48)	20.4 (.80)	11.5 (.45)	20.3 (.80)	6.33 (.249)	6.35 +0.08/-0.0 (.250 +.003/0.000)	9.12 ±0.08 (.359 ±.003)	7.1 (.28)	11.1 (.44)	9.4 (.37)
				Prism	—	56-180-000	13 (.51)	21.1 (.83)	13.3 (.52)	21 (.83)						
				4C-Prism	—	56-380-000	13 (.51)	21.1 (.83)	13 (.51)	21 (.83)						
			Large	Prism	—	56-280-000	14.1 (.56)	21.1 (.83)	17 (.67)	21 (.83)						
0.64 (.025)	1.5 (.06)	6.4 (.17)	Small	Aluminum	56-10-301-20	56-99-196-20	13.4 (.53)	18.4 (.72)	13.5 (.53)	19.8 (.78)	4.7 (.183)	4.78 +0.08/-0.03 (.17 +.003 -0.000)	7.14 ±0.08 (.281 ±.003)	5.6 (.20)	9 (.35)	7 (.28)
0.8 (.031)	3.2 (.13)	7.9 (.31)	Large	Aluminum	56-10-401-20	56-99-197-20	18.3 (.72)	24.6 (.97)	17.5 (.69)	26.2 (1.03)	6.2 (.245)	6.35 +0.08/-0.08 (.250 +.003/0.000)	9.12 ±0.08 (.359 ±.003)	7.1 (.28)	11.1 (.44)	9.4 (.37)