



CB Hinge

Counterbalanced • Position Control

- Counterbalance technology allows for easy opening / closing of heavy panels
- Accommodates a wide variety of panel weights
- Adjustability feature allows fine tuning of panel motion
- Long cycle life

Material and Finish

Aluminum, black anodized

Installation Notes

See Trade Drawings for more information.

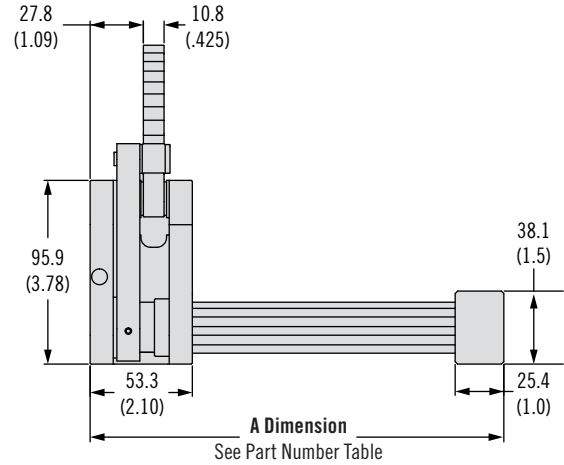
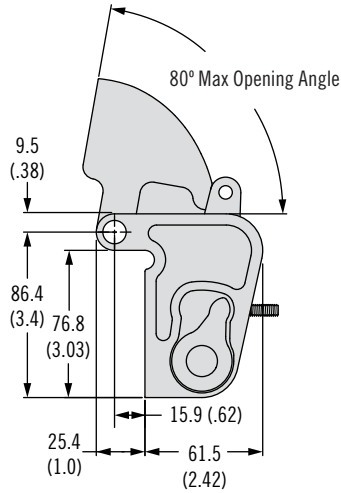
Application



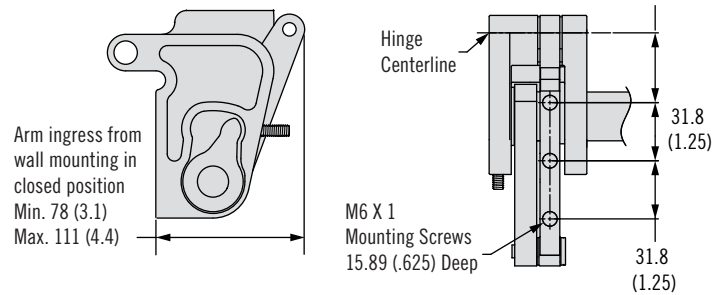
Part Number

See table

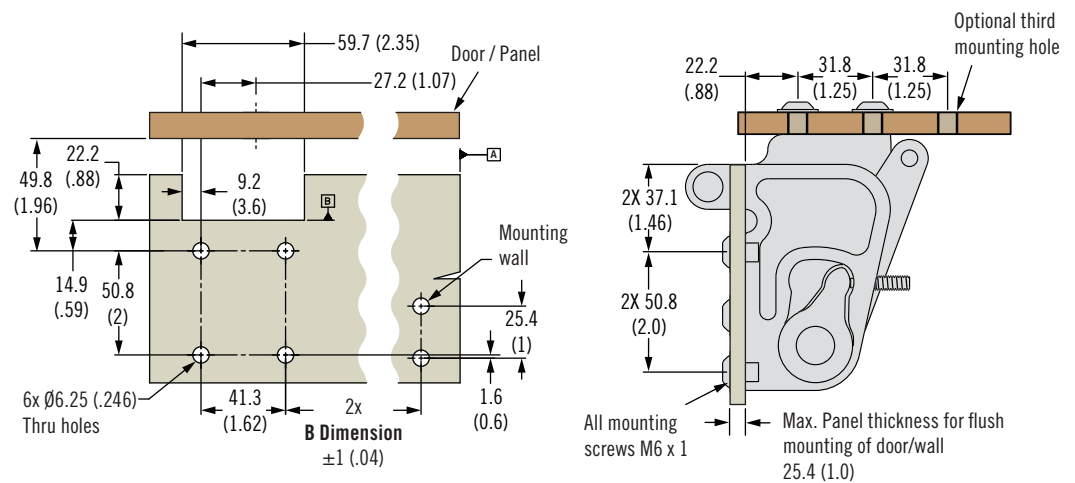
Open Position (Left Hinge Shown)



Closed Position (Left Hinge Shown)



Panel Preparation (Left Hinge Shown)



Note: Wall panel prep shown for left-hand assembly. All geometry mirrored about "A" datum for right-hand units

Other options available. For complete details on variety, part numbers, installation and specification, go to



www.southco.com/CB

Dimensions in millimeters (inch) unless otherwise stated

southco
CONNECT · CREATE · INNOVATE

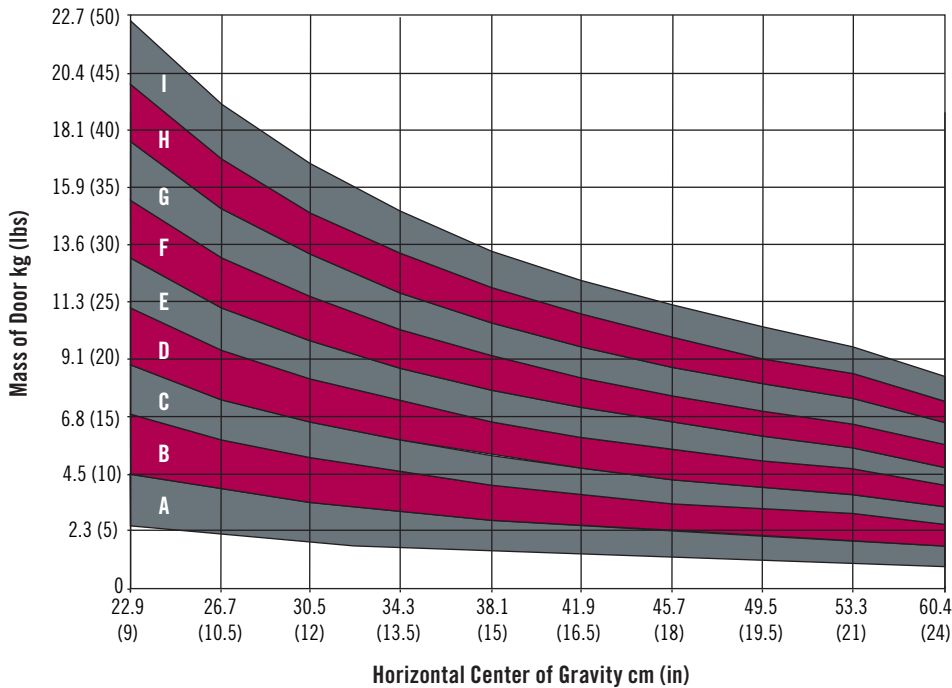
CB Hinge

Counterbalanced • Position Control

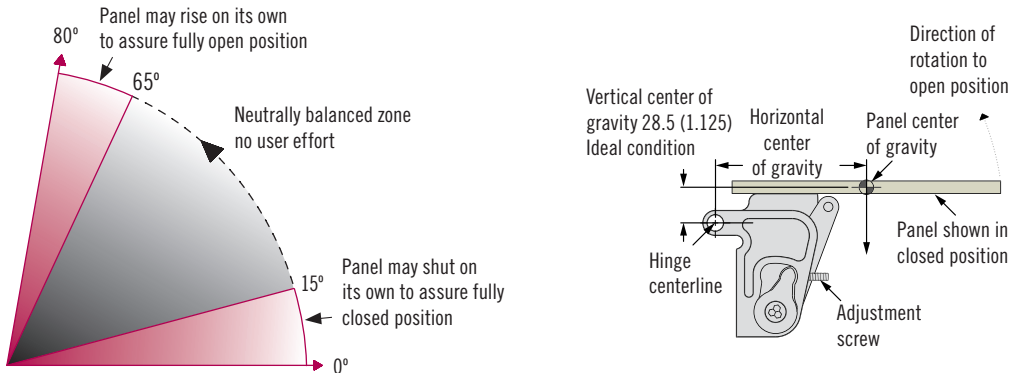


338C

Counterbalance Hinge Selection Guide (per hinge)



Panel Balance Characteristics (typical)



Accessories

Support Hinge:
Part number: CB-10-100-10



Notes

Support Hinge can be used when one counterbalanced hinge can supply required torque for the panel. See illustration below and trade drawing J-CB-1 for detailed information.



Part Number		Graph Selection Zone	A Dimension cm (in)	B Dimension cm (in)	Torque N•m (lbf-in) (per hinge)		
Left	Right				Nominal	Minimum	Maximum
CB-11-101-00-10	CB-12-101-00-10	A	21.6 (8.5)	15.59 (6.14)	8.8 (78)	5.7 (50)	10.2 (90)
CB-11-102-00-10	CB-12-102-00-10	B	28.6 (11.13)	22.25 (8.76)	13.5 (119)	10.2 (90)	15.5 (137)
CB-11-103-00-10	CB-12-103-00-10	C	34.3 (13.50)	28.29 (11.13)	18.2 (161)	15.5 (137)	19.8 (175)
CB-11-104-00-10	CB-12-104-00-10	D	40.0 (15.75)	34.00 (13.39)	22.8 (202)	19.8 (175)	24.9 (220)
CB-21-101-00-10	CB-22-101-00-10	E	29.2 (11.50)	22.07 (8.68)	27.7 (245)	24.9 (220)	29.4 (260)
CB-21-102-00-10	CB-22-102-00-10	F	30.9 (12.17)	24.93 (9.80)	32.2 (285)	29.4 (260)	34.5 (305)
CB-21-103-00-10	CB-22-103-00-10	G	34.1 (13.42)	28.10 (11.05)	37.3 (330)	34.5 (305)	39.5 (350)
CB-21-104-00-10	CB-22-104-00-10	H	37 (14.54)	30.96 (12.18)	42.4 (375)	39.5 (350)	44.6 (395)
CB-21-105-00-10	CB-22-105-00-10	I	40.8 (16.04)	34.77 (13.68)	47.5 (420)	44.6 (395)	50.3 (445)