

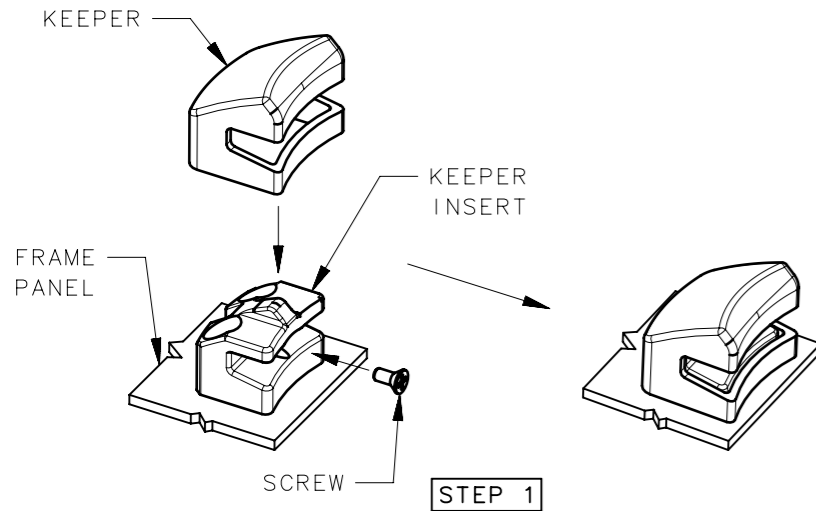
INSTALLATION INSTRUCTIONS

STEP 1

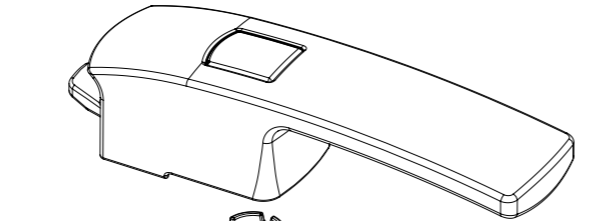
REMOVE KEEPER INSERT FROM KEEPER BY REMOVING SCREW (PROVIDED)

INSTALL KEEPER INSERT AS SHOWN INTO FRAME PANEL USING RECOMMENDED TWO No.10 OR M5 SCREWS (NOT PROVIDED)

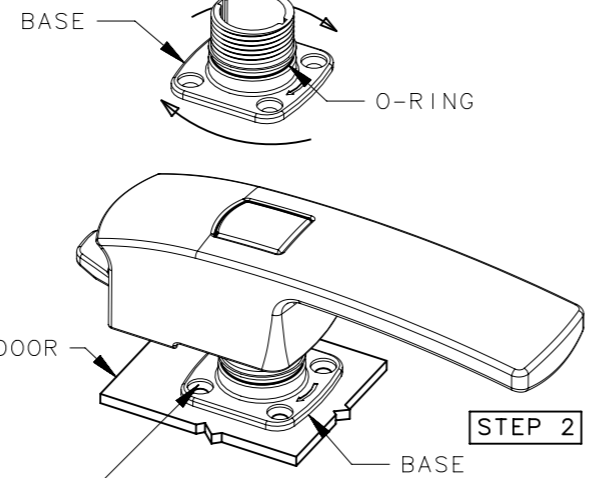
REASSEMBLE KEEPER AND KEEPER INSERT



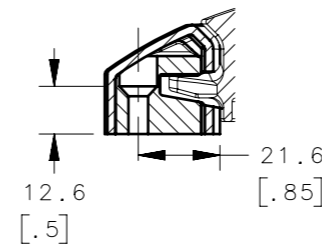
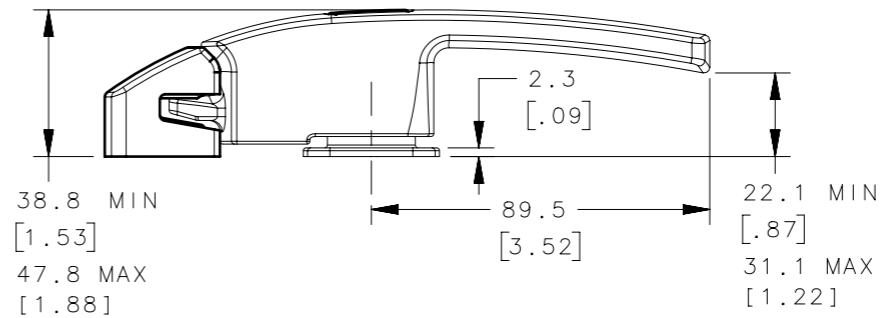
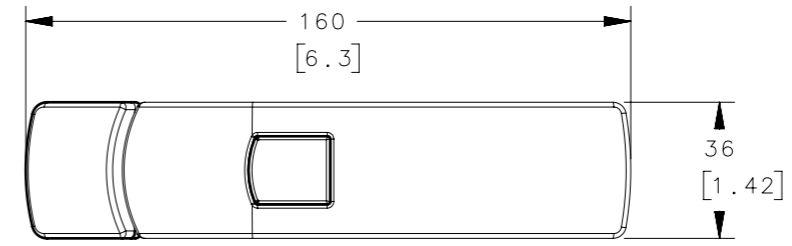
STEP 2



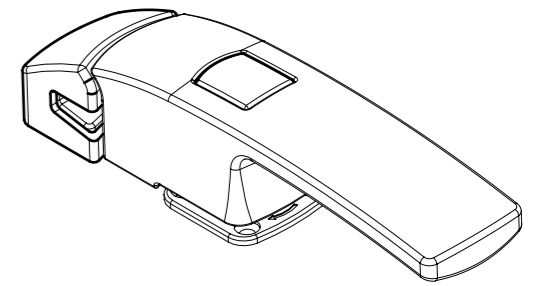
NOTE: ASSEMBLY IS UNDER SLIGHT SPRING TENSION



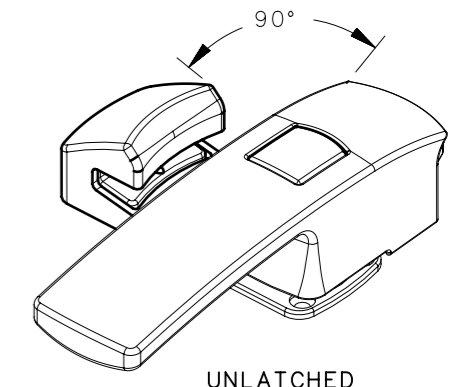
RECOMMENDED TO USE M4 OR No.8 SCREWS (NOT PROVIDED) FOR INSTALLATION OF LATCH BASE



REVISION HISTORY			
REV	DATE	BY	DESCRIPTION
C	26DEC2023	GBD/CRM	PRN: P2023-2384



LATCHED

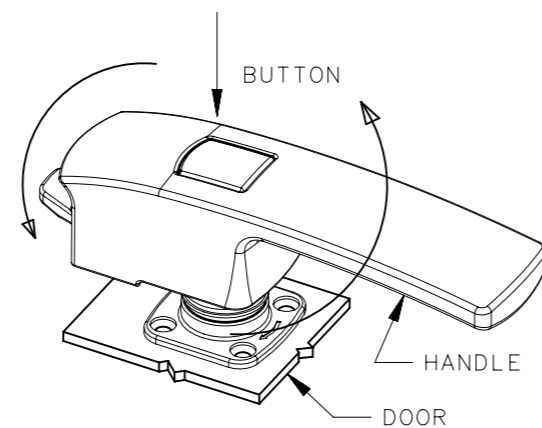
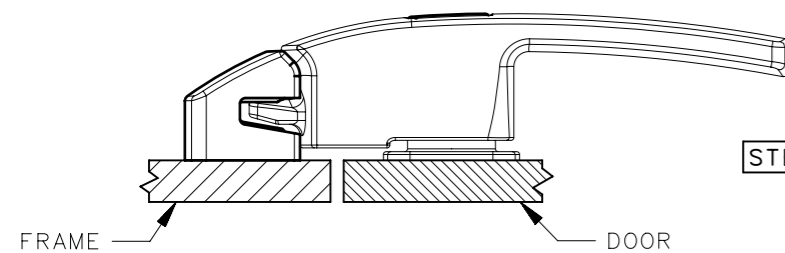


UNLATCHED

ABLE TO ROTATE 90° IN EITHER DIRECTION FROM KEEPER

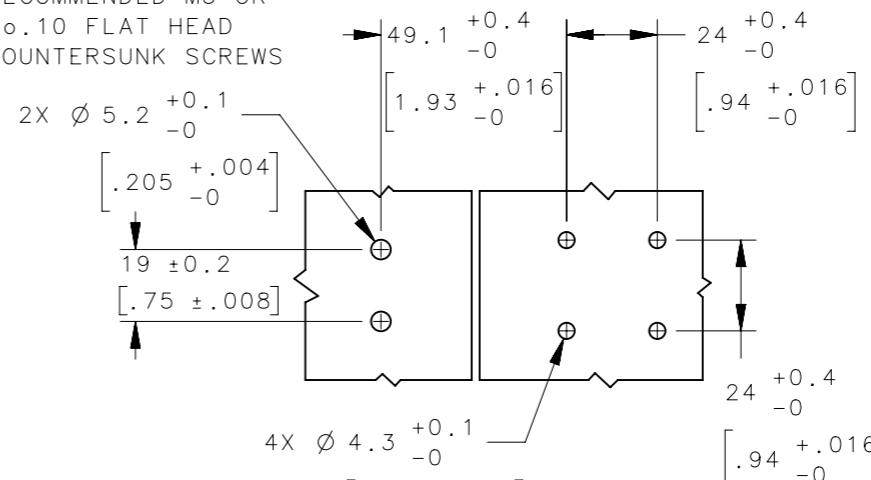
STEP 3

PUSH DOWN BUTTON ON HANDLE AND ROTATE HANDLE UNTIL PAWL IS ALIGNED WITH KEEPER (SEE NOTE 8)
BE SURE SLEEVE IS ORIENTED PROPERLY



PANEL PREPARATION

SCREWS NOT SUPPLIED: RECOMMENDED M5 OR No.10 FLAT HEAD COUNTERSUNK SCREWS



SCREWS NOT SUPPLIED: RECOMMENDED M4 OR No.8 FLAT HEAD COUNTERSUNK SCREWS

NOTES:

A. MATERIAL AND FINISH:
HANDLE, KEEPER, BASE
BUTTON AND SLEEVE - CF-8M STAINLESS STEEL (NOMINAL CAST EQUIVALENT OF 316 STAINLESS STEEL), ELECTROPOISHED

KEEPER INSERT - PA6, BLACK
O-RING - EPDM, NATURAL
SCREW, SPRING, NUT- 304 STAINLESS STEEL, PASSIVATED

B. PAWL AND KEEPER ALIGNMENT:
TO INCREASE THE HEIGHT OF THE LATCH BY 0.375 [0.0156], ROTATE THE BASE 90° CLOCKWISE
TO DECREASE THE HEIGHT OF THE LATCH BY 0.375 [0.0156], ROTATE THE BASE 90° COUNTER CLOCKWISE
FOR EVERY 360° TURN THE HEIGHT ADJUSTS 1.5 [0.0625]

TM-10-101-24	ASSEMBLY	SEE NOTE A	-	SEE NOTE A
PART NUMBER	TYPE OF COMPONENT	MATERIAL	HEAT TREAT	FINISH

CPB NUMBER 2021-1008	THIRD ANGLE PROJECTION			
	MILLIMETERS [IN]			
SURFACE AREA	TOLERANCES UNLESS OTHERWISE NOTED		DESCRIPTION SMALL LATCH	
VOLUME	ALL DIMENSIONS WITHOUT TOLERANCES ARE FOR REFERENCE ONLY.		SIZE A3	SYSTEM NX
PROPRIETARY ITEM	PER ASME Y14.5M-2009		DWG NO. J-TM-10-101	DATE 10APR2008
EXCEPT FOR USES EXPRESSLY GRANTED IN WRITING, INFORMATION DISCLOSED HEREON IS CONFIDENTIAL AND ALL RIGHTS, PATENT AND OTHERWISE, ARE RESERVED BY SOUTHCO, INC.			DRAWN BY RLR	SCALE 0.5:1
			SHEET 1 OF 1	