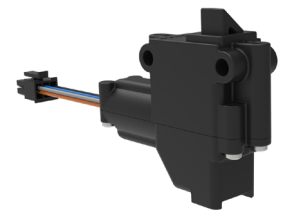


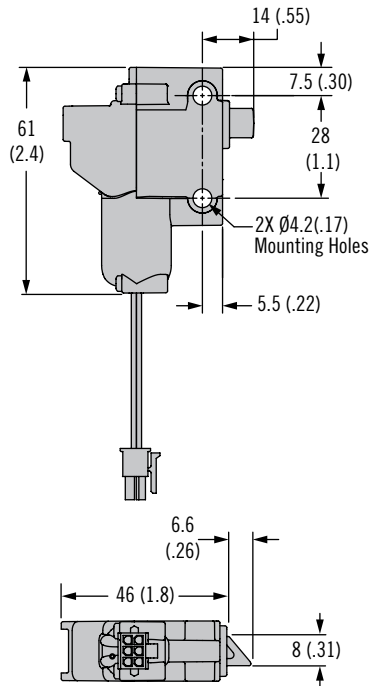
EM-05-4X Electro-Mechanical Slide Bolt

Push-to-close · Integrated Sensing

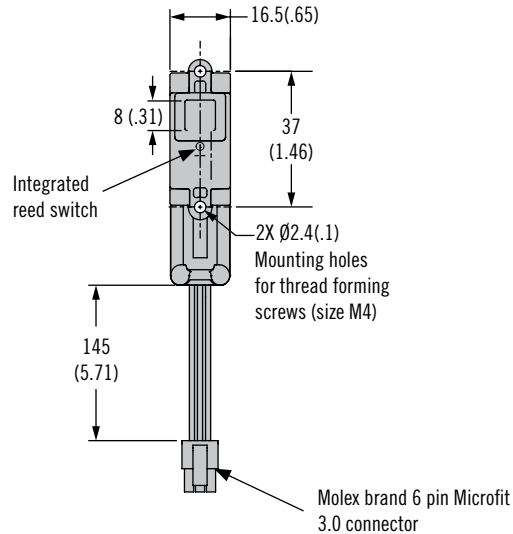


39D

Perpendicular Mounting Holes

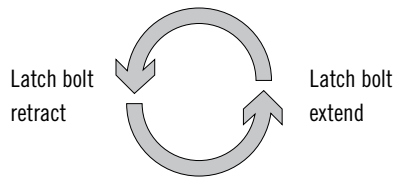
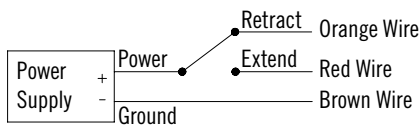


In-Line Mounting Holes

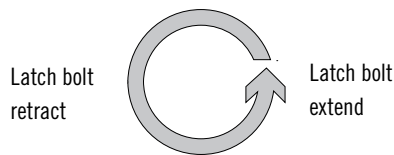
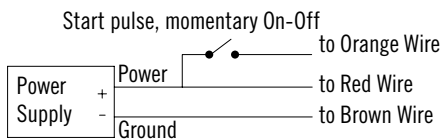


Part Number
EM-05-42-2401

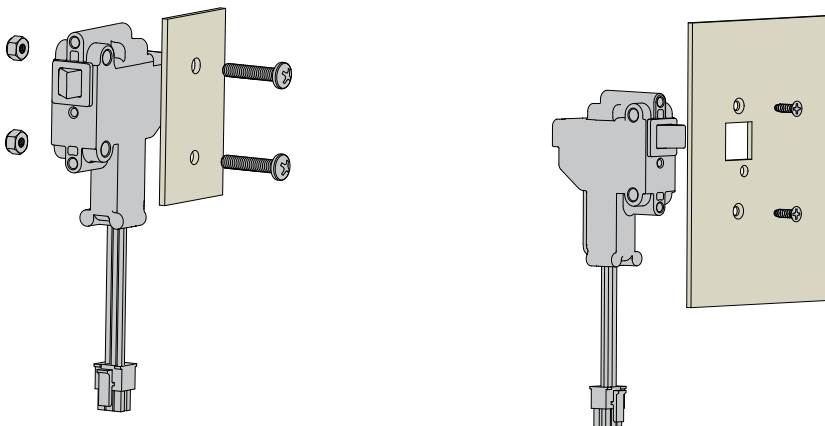
Two Position (Lock-Unlock) Mode



Start Pulse (Auto-Relock) Mode



Mounting Options



- Push to close/electrical release
- Integrated Sensors to monitor door and latch status
- Auto-Relock or lock-unlock (2 position)

Material & Finish

Enclosure: Nylon, black
 Latch Bolt: Acetal, black
 Housing Assembly Screws: Steel, zinc plated

Electronic Specifications

Supply Voltage: 5VDC +/- 10%
 Operating Current: < 300 mA
 Operating Temperature: 0°C - 60°C
 Operating Humidity: 85% max
 No condensation

Notes

Visit Southco.com to download further installation and operation details.
 Add -1 to the end of the part number for bulk packaging.