



C2 Compression Latch

Lever latch

- Low profile when latched
- Easy grip adjustment
- Push button actuation
- Optional Sealing

Material and Finish

Zinc alloy, powder coated or chrome plated and steel, zinc plated

Performance Details

Maximum static load: 200 N (45 lbf)

Sealing Notes

For sealed option, NEMA 4 / IP65 sealing is achieved by using the supplied flange gasket.

Installation Notes

* For door thickness greater than 5 (.20) calculate screw length using the following formula:
Door thickness + 12 (.47)

Accessories

Rubber Bumper:
Part Number: C2-25-301-82
(reduces min. and max. grip by 1.6 (0.06))



Keys

See page 90

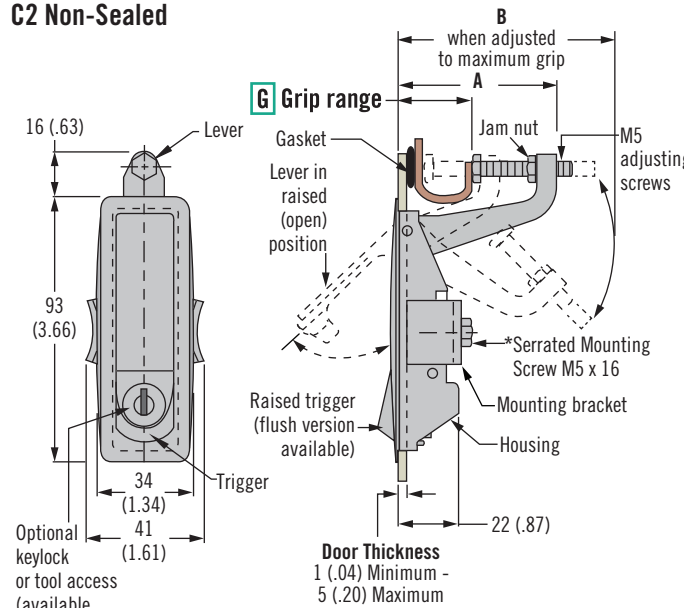
Part Number Selection

See table

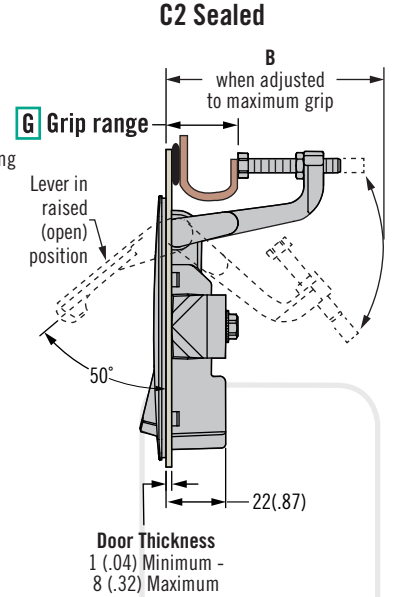
Notes

For lock core selection and a complete overview of the *SOUTHCO*[®] Key-Choice System see www.southco.com

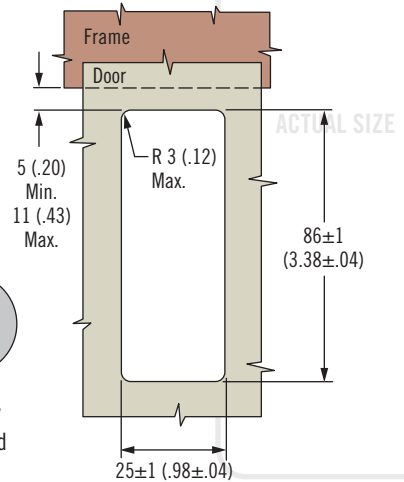
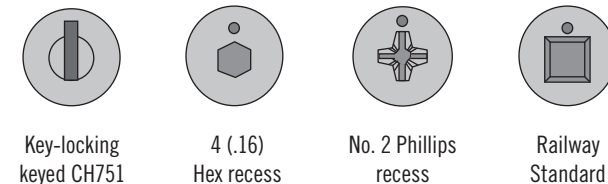
C2 Non-Sealed



C2 Sealed



L Lock Styles



L Lock style

- 1 Non-locking raised trigger
- 2 Key-locking raised trigger keyed CH751 (two flat keys supplied)
- 3 Flush trigger non-locking
- 4 4 (.16) Hex recess raised trigger
- 10 No. 2 Phillips raised trigger
- 13 Locking without lock core (see page 158 for lock core options)
- 14 Railway standard

F Finish

- 1 Textured chrome
- 5 Black powder coated

P Packaging option

- 3 Latches are sold layer packed. Omit for individually packaged latches.

C2 - S G - L F - P

S Sealing Option

- 3 Non-sealed
- 4 Sealed

G Grip Range	A	B
2	1 - 24 (.04 - .95)	35 (1.38) 63 (2.48)
3	23 - 46 (.91 - 1.81)	57 (2.24) 84 (3.31)

Dimensions in millimeters (inch) unless otherwise stated

Other options available. For complete details on variety, part numbers, installation and specification, go to



www.southco.com/C2

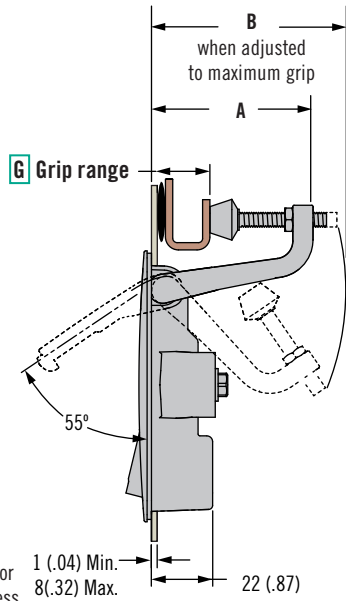
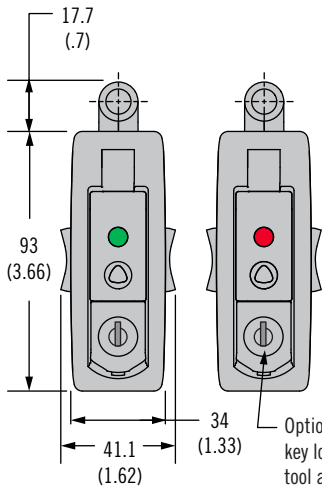
C2 Compression Latch

Lever latch · Access indicator

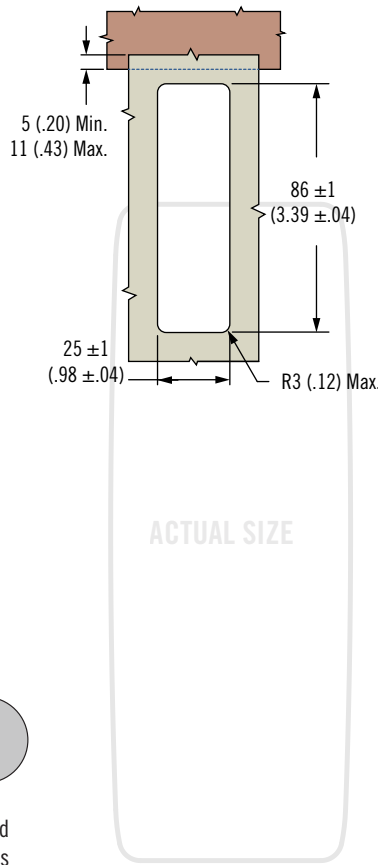


Access Indicator

Green – Unaccessed
Red – Accessed (Operated)



Panel Preparation



L Lock Styles



Key-locking
keyed CH751

4 (.16)
Hex recess

No. 2 Phillips
recess

Railway
Standard

Slotted
Recess

L Lock style

- 1 Non-locking raised trigger
- 2 Key-locking raised trigger keyed CH751 (two flat keys supplied)
- 3 Flush trigger non-locking
- 4 4 (.16) Hex recess raised trigger
- 10 No. 2 Phillips raised trigger
- 13 Locking without lock core (see page 158 for lock core options)
- 14 Railway standard

F Finish

- 1 Textured chrome
- 5 Black powder coated

P Packaging option

- 3 Latches are sold layer packed. Omit for individually packaged latches.

C2 - A4 G - L F - P

G Grip Range	A	B
2	1 - 18 (.04 - .71)	35 (1.38) 65 (2.56)
3	17 - 39 (.67 - 1.53)	57 (2.24) 85 (3.35)

- Visual access status
- Easy grip adjustment
- Push button actuation
- Integrated bumper screw

Material and Finish

Zinc alloy, powder coated or chrome plated and steel, zinc plated

Performance Details

Maximum static load: 200 N (45 lbf)

Sealing Notes

NEMA 4 and IP65 enabled using supplied gasket.

Installation Notes

* For door thickness greater than 5 (.20) calculate screw length using the following formula:
Door thickness + 12 (.47)

Indicator Reset Key

Part number: C2-26-301-05



Part Number Selection

See table

Notes

For lock core selection and a complete overview of the SOUTHCO® Key-Choice System see www.southco.com