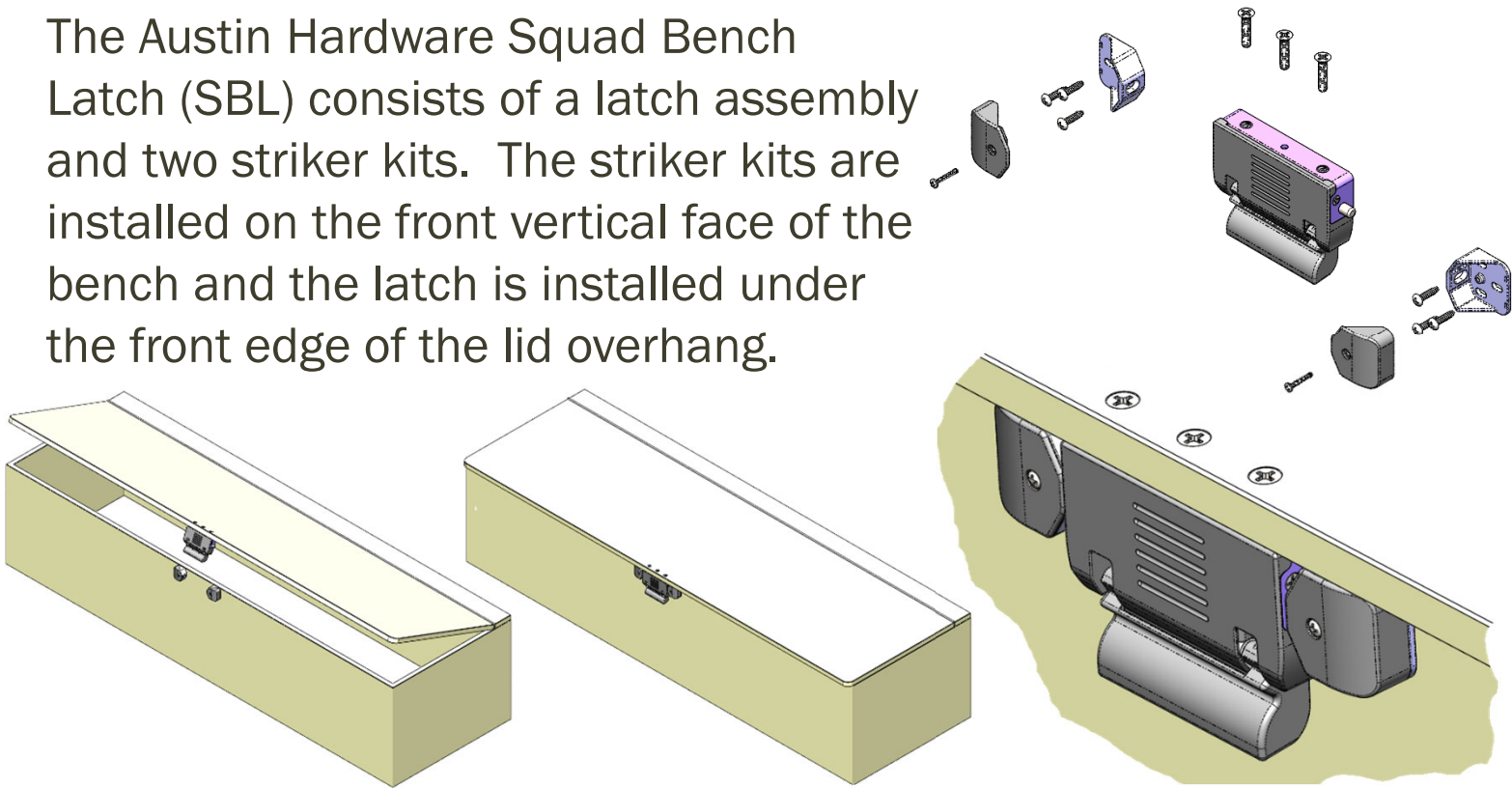
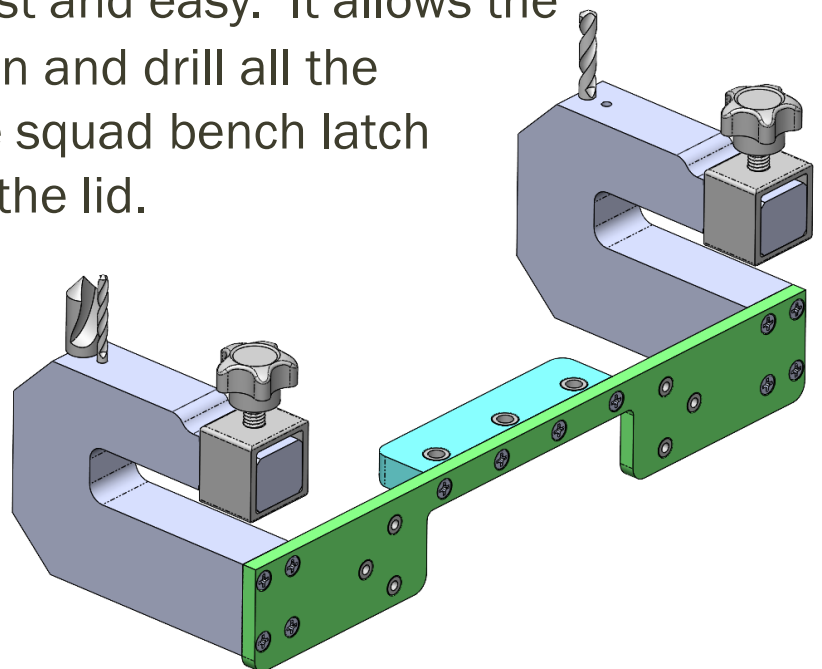


1 SQUAD BENCH LATCH INSTALLATION

- The Austin Hardware Squad Bench Latch (SBL) consists of a latch assembly and two striker kits. The striker kits are installed on the front vertical face of the bench and the latch is installed under the front edge of the lid overhang.



- The Austin Hardware designed SBL Drill Jig is designed to make installing the SBL fast and easy. It allows the installer to properly position and drill all the holes needed to install the squad bench latch items to the bench and to the lid.
- The JIG includes a .1495" drill bit, a .250" drill bit, and an 82° countersink.

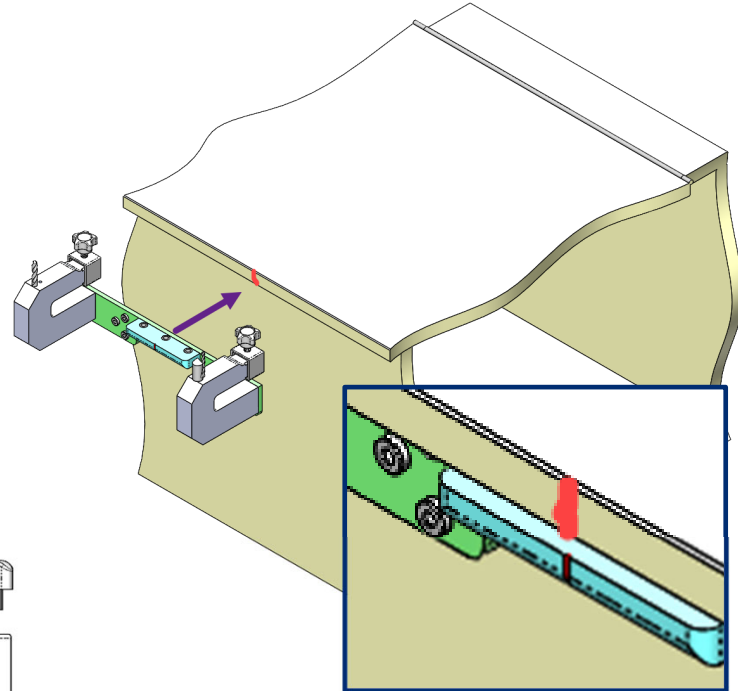


SQUAD BENCH LATCH INSTALLATION

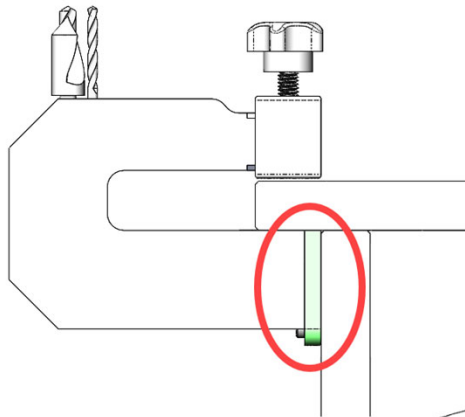
INSTALLATION STEP 01: Locate/Secure Jig onto Bench Lid

(Note images of bench are center area only for better image detail)

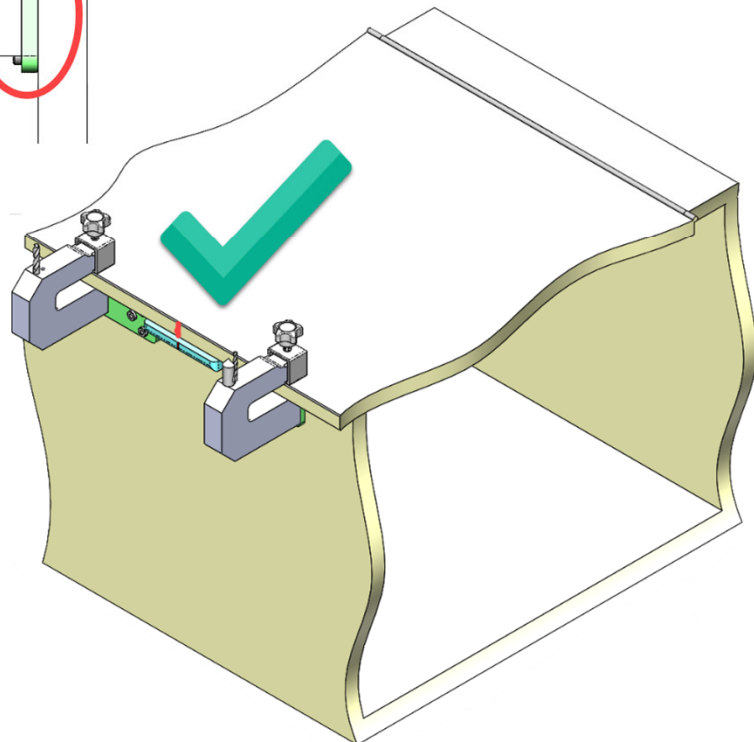
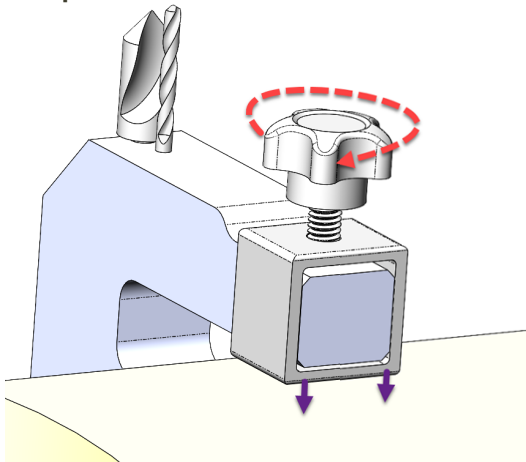
- Define where on LID Latch is to be installed and mark the edge of the Lid (see **RED** line in image as an example).
- Line up the vertical notch on the Lid Drill Plate (the **LIGHT BLUE** horizontal plate) with the mark made on the edge of the lid.



- Install JIG onto Lid as shown until the Striker Drill Plate (the **GREEN** vertical cross bar) contacts front wall of bench.



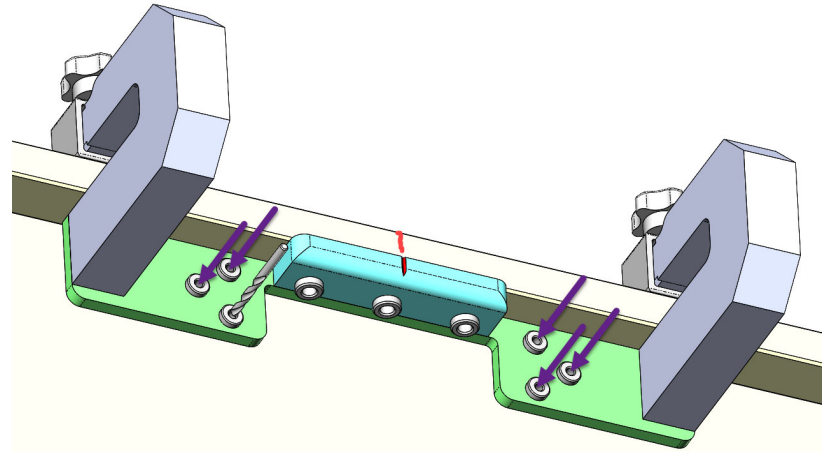
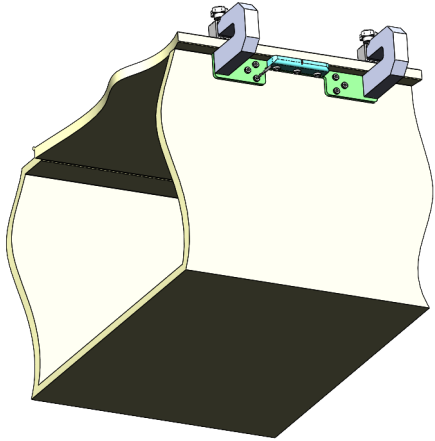
- Turn the knobs to tighten or “clamp” the JIG to the Lid.



SQUAD BENCH LATCH INSTALLATION

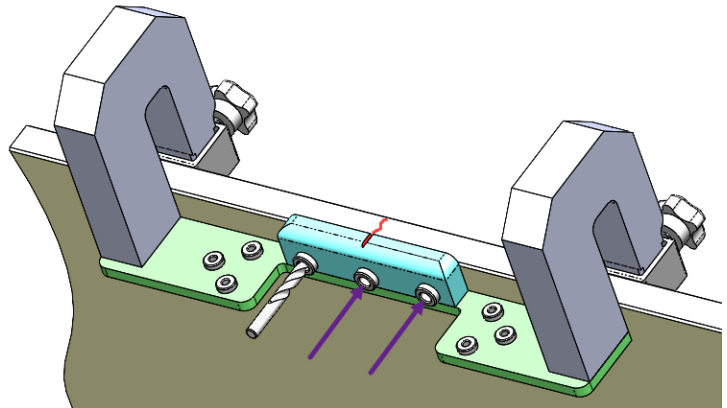
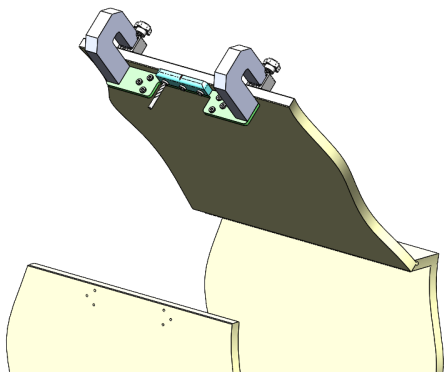
INSTALLATION STEP 02: DRILL SCREW HOLES FOR STRIKERS

- With the JIG clamped in place and the Lid down, use the 0.1495" drill bit to drill the six (6) striker mount holes into the front wall of the bench.

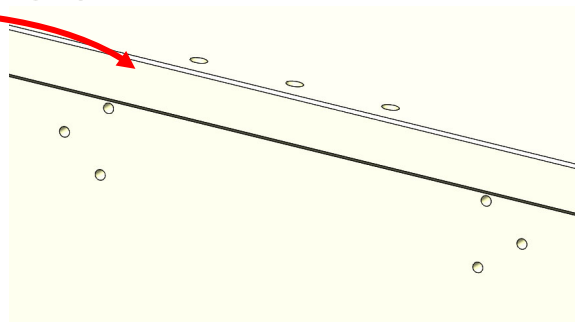
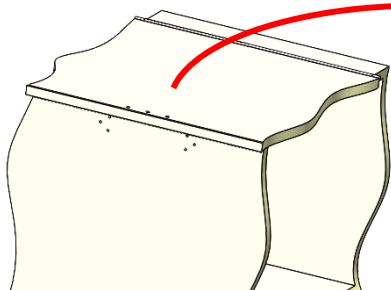


INSTALLATION STEP 03: DRILL SCREW HOLES FOR LATCH

- Using the 0.250" drill bit, with the JIG still clamped to the Lid, lift the Lid up to 45° or more (it is easier to drill these holes this way), and drill the three (3) holes through the Lid from the bottom.

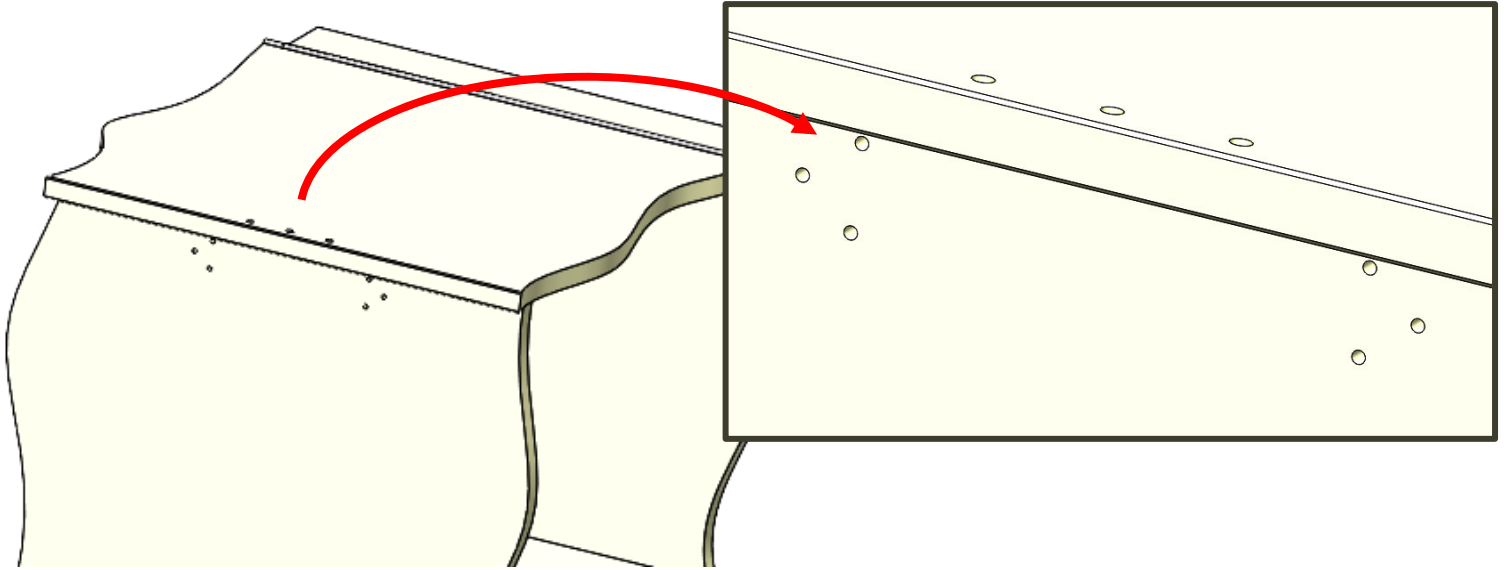


AFTER DRILLING AND REMOVAL OF JIG



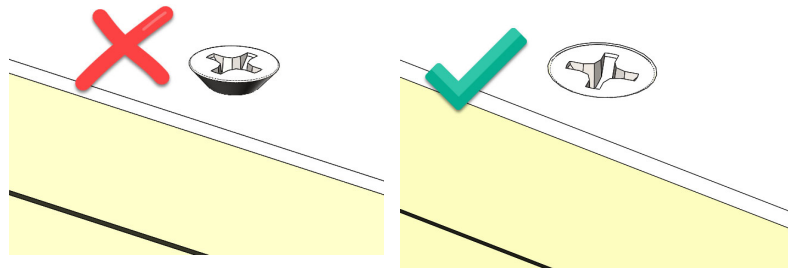
SQUAD BENCH LATCH INSTALLATION

AFTER STEP 03 BENCH HOLES

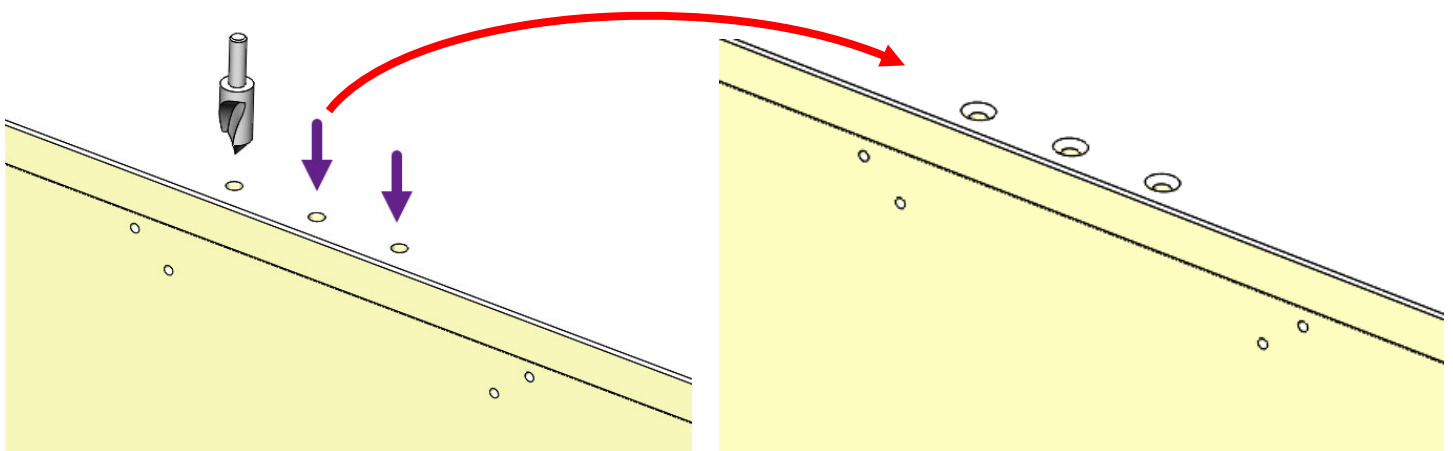


INSTALLATION STEP 04: COUNTERSINK LID HOLES ON TOP

- The SBL latch attaches with three 1/4-20 flat head screws from the top of the Lid, so the three holes in the Lid need to be countersunk on the top.



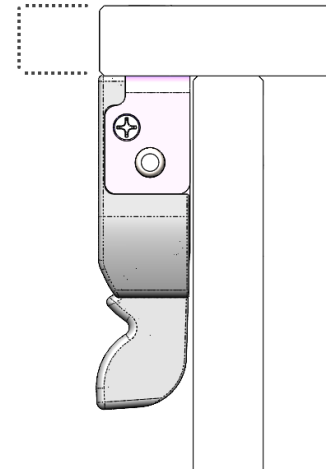
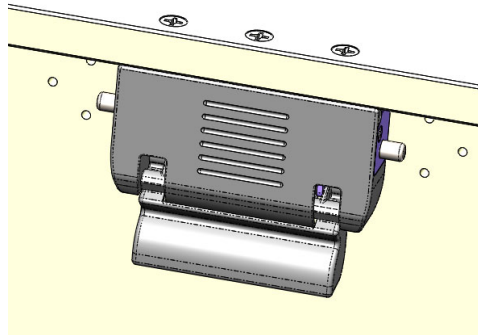
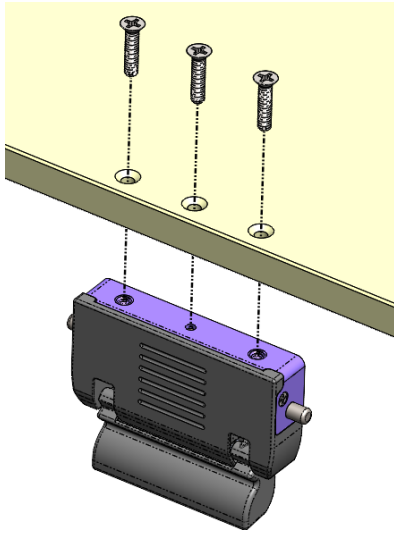
- Using the 82° countersink, carefully remove material from the top face of each hole so that the screws will sit flush (or close to flush) in each hole.



SQUAD BENCH LATCH INSTALLATION

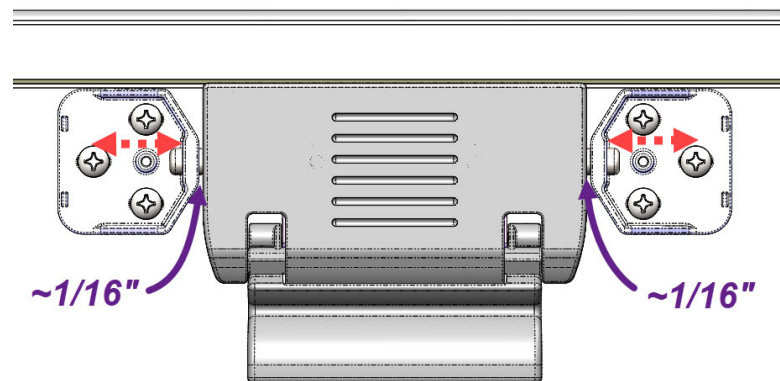
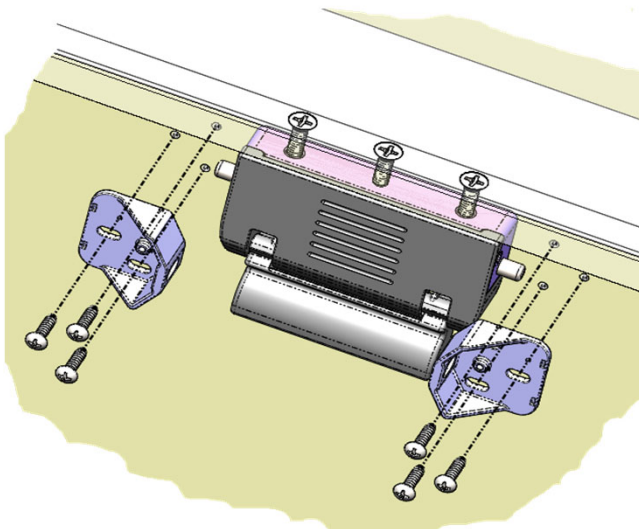
STEP 05: INSTALL LATCH

- Put the three 1/4-20 Flat Head Screws into the three holes in top of Lid, then align threaded holes in the top of the SBL Latch to ends of the screws.
- Slowly tighten the screws a few turns each in a repeating pattern until the Latch snugs to the bottom of the Lid and the screws are tight into the counterbores.



STEP 06: INSTALL STRIKER BASES

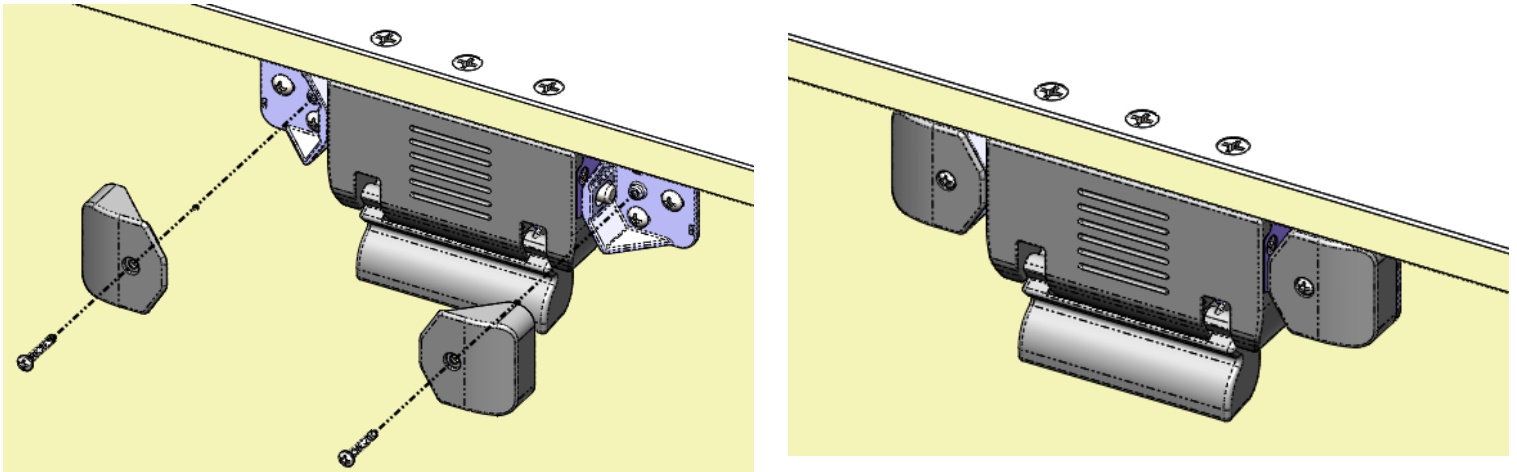
- As shown below, install #12 Screws through slots in each Striker and thread into pilot holes in wall. Before tightening screws, align inside surface of Striker so there is about a 1/16" gap between the Striker and the side of the SBL Latch.
- When you Pull up the handle the Pins should retract into the Latch, clear the Striker Bases, and allow the Lid to be lifted.



SQUAD BENCH LATCH INSTALLATION

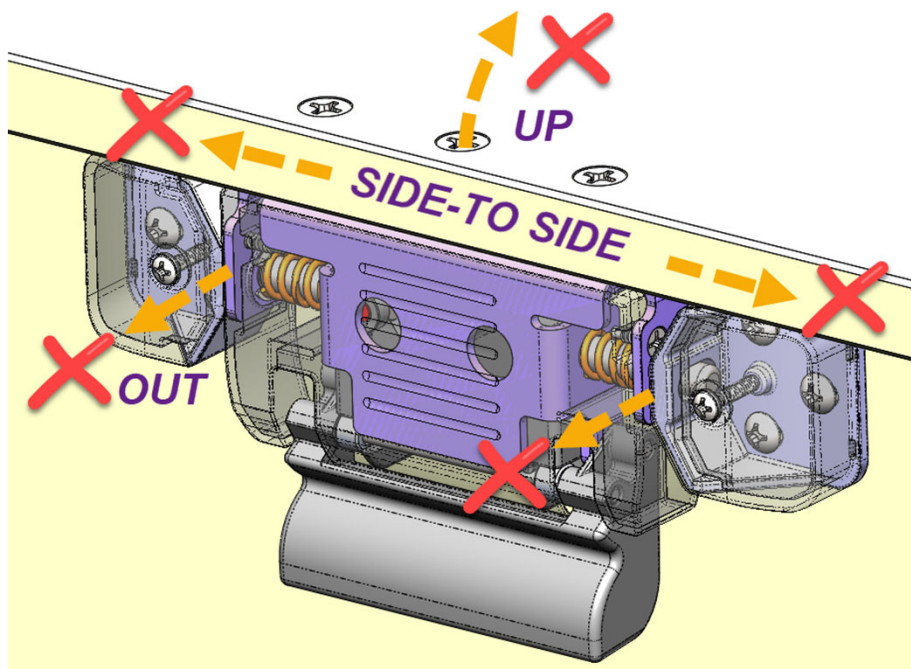
STEP 07: INSTALL STRIKER COVERS

- The Striker Covers have features that locate onto the Strikers. With the cover installed the 6-32 screw should be able to find the threaded boss in the Striker. Snug the screw to secure the Cover.



STEP 08: TESTING LATCH LOCKING INTEGRITY.

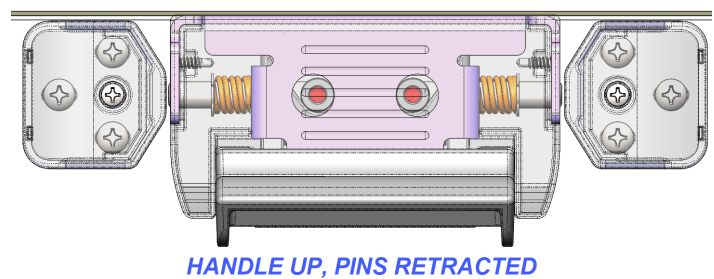
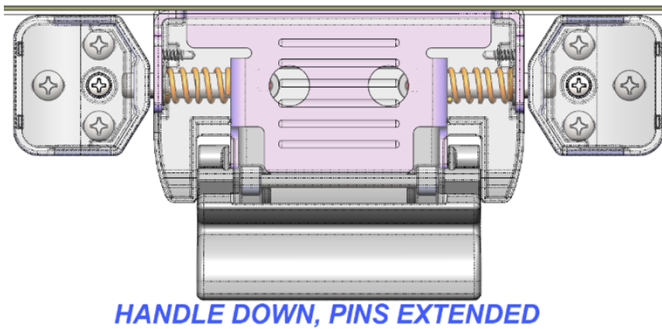
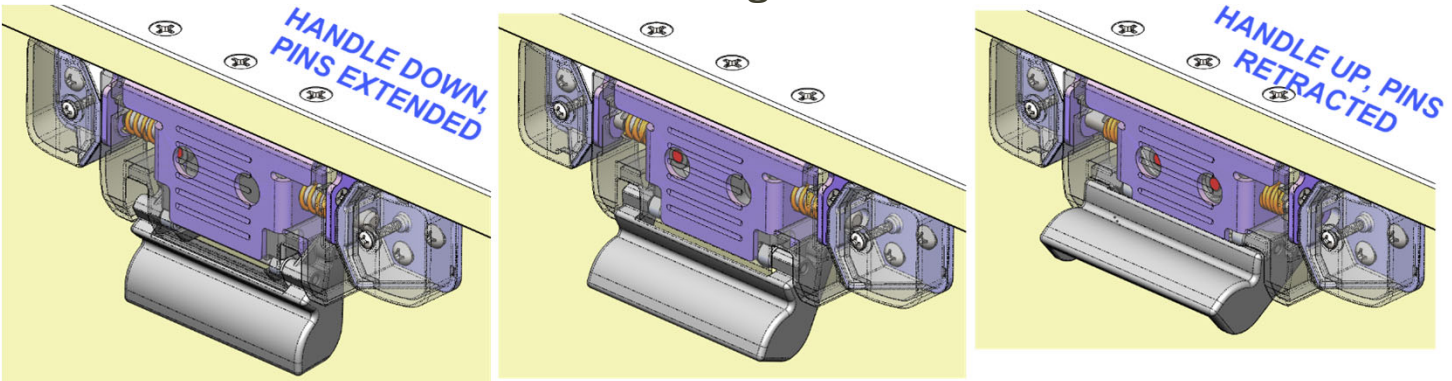
- With Lid closed, Handle down, and Latch Rods engaged to strikers, the Lid should not be able to be lifted or moved side to side. In addition, the front wall should not be able to be moved inward or outward.



SQUAD BENCH LATCH INSTALLATION

STEP 08: OPENING/CLOSING THE LID WITH THE SBL LATCH

- When the SBL Latch Handle is lifted (rotated outward and upward), it will draw the locking Pins inward to disengage them from the Strikers and thus allow the Lid to be lifted in the same motion using the Handle.



- From the Lid UP position, the Lid will slam closed without engaging the Latch. As the Pins engage the Strikers during Lid closing, the ramps on the Strikers push the Pins into the Latch until they reach the opening in the Striker at which point the Pins spring back out into the Striker locking slot.

