



AV Series Dynamic Mounting Arm

Tilt and swivel · Single arm · Height Adjusting

- **Intuitive grab and move operation enhances the user experience**

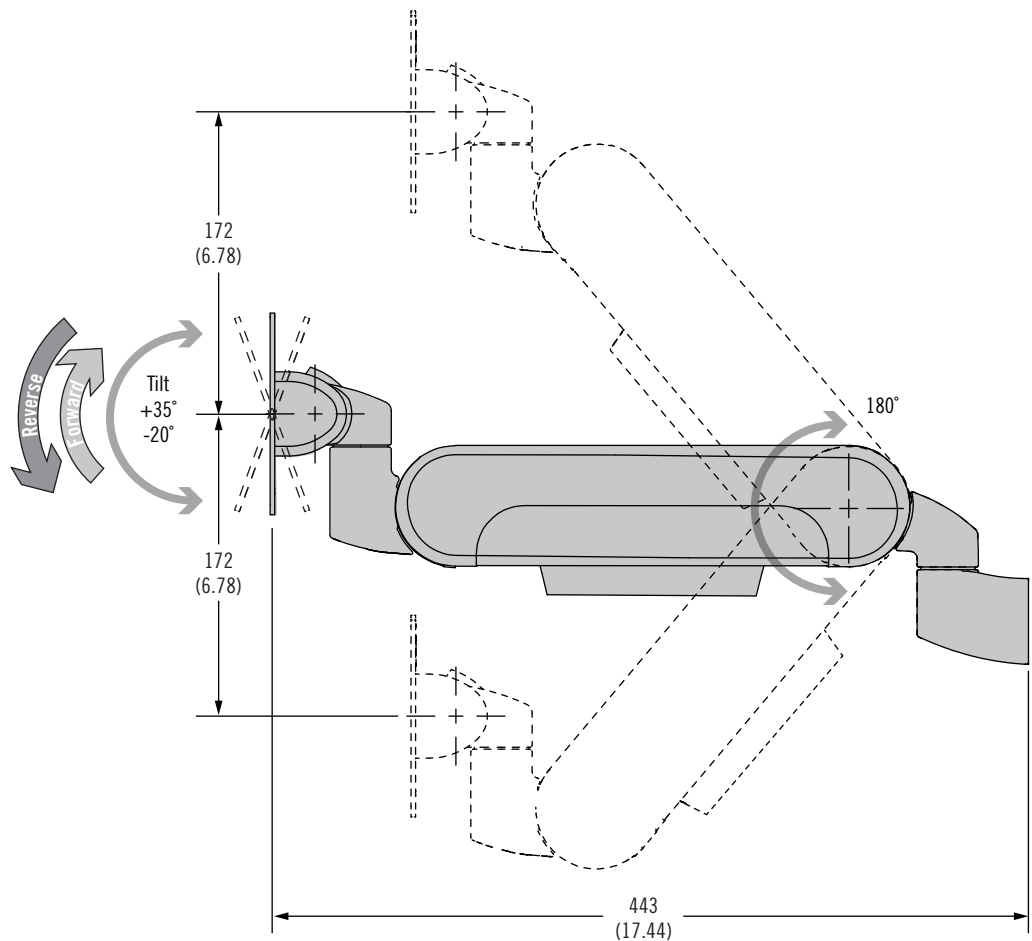
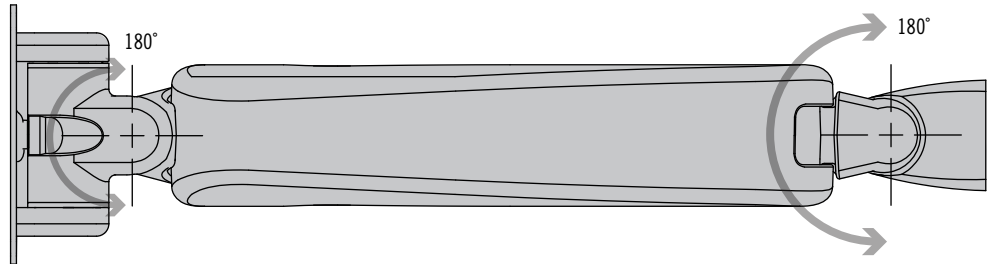
No knobs or tools required to reposition the display

Precise control of operating effort ensures ideal “feel” and eliminates “drift”

Holds securely, even in applications with dynamic loading

- **Consistent repeatable operation**
- **Fully enclosed for optimum cleanability**
- **Snap-open channels simplify wire management**
- **Factory assembled and ready for use**

For mounting options and installation detail please refer to page 67”



Other options available. For complete details on variety, part numbers, installation and specification, go to



www.southco.com/AV

Dimensions in millimeters (inch) unless otherwise stated

southco[®]
CONNECT · CREATE · INNOVATE

AV Series Dynamic Mounting Arm

Tilt and swivel · Single arm · Height Adjusting

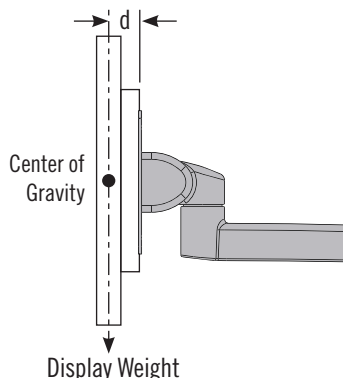


65A

Specification and Selection

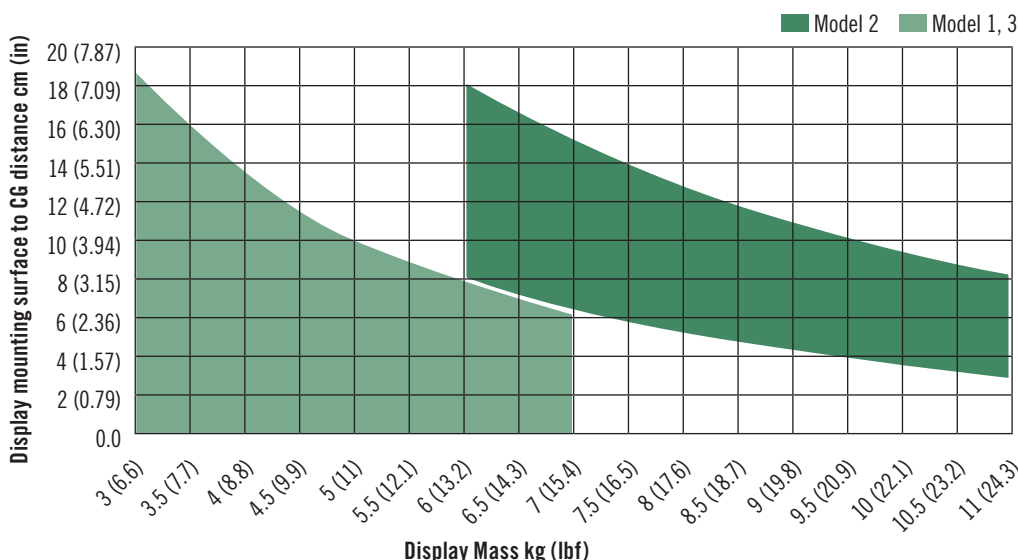
Step 1

Determine display weight and distance (d) from mounting surface to center of gravity.



Step 2

Use chart below to select model (1, 2 or 3).



Step 3

Complete part number by selecting model and color options below.

AV - D32 - 30V1 **K** **S** - **F**

K	Mounting Style
0	Wall mount, Rear, no wire notch
1	Wall mount, Rear, with wire notch
2	Table mount, no wire notch
3	Table mount, with wire notch
4	Wall mount, Front
6	Pole mount (35-38mm Pole)
7	Rail mount

F	Color
50	Black
76	White

S	Model
1	Counterbalanced, Low Torque
2	Counterbalanced, High Torque
3	Dynamic applications

Material and Finish

Aluminum alloy, powder coated

Performance Details

Cycle performance: 20,000 cycles.

Swivel Torque:

At Device Mount: 4.3 N-m (38 in-lbf)

At Wall Mount: 6.0 N-m (53 in-lbf)

Average ultimate load:
665N (150lbf)

See trade drawing for details.

Part Number Example:

AV-D32-30V101-50 = Single Arm, Model 1, wall mount, no wire notch, black



AV Series Dynamic Mounting Arm

Tilt and swivel · Double arm · Height Adjusting

- Intuitive grab and move operation enhances the user experience**

No knobs or tools required to reposition the display

Precise control of operating effort ensures ideal “feel” and eliminates “drift”

Holds securely, even in applications with dynamic loading

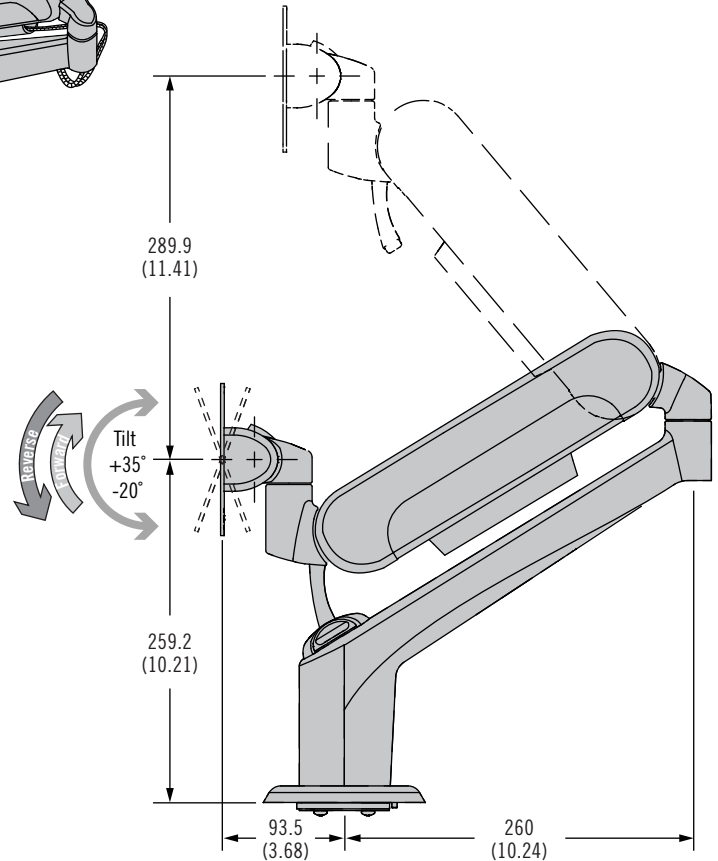
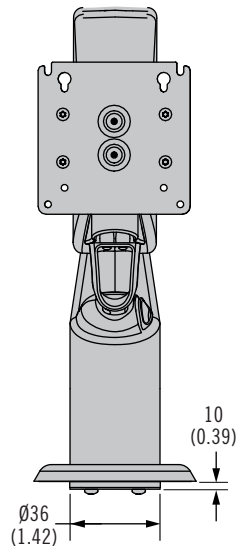
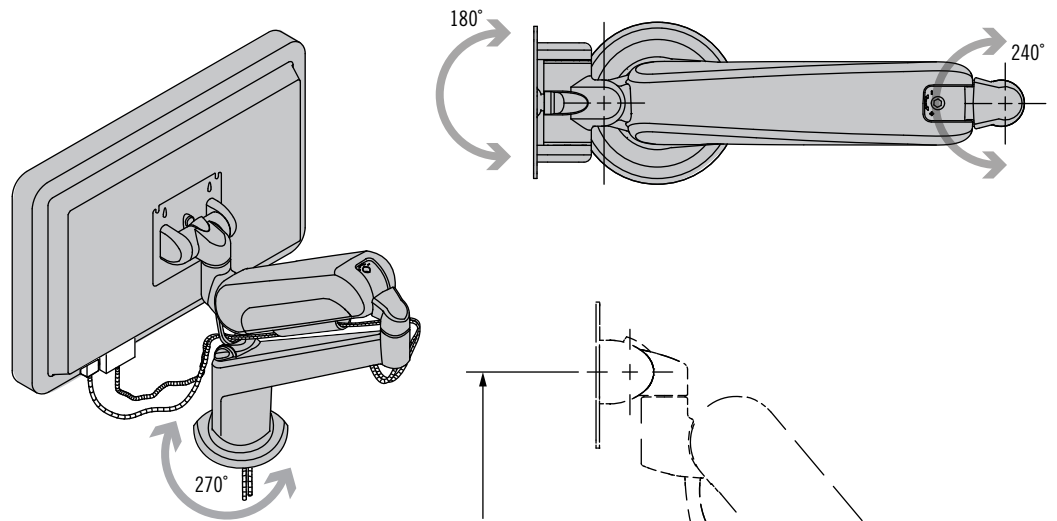
- Consistent repeatable operation**

- Fully enclosed for optimum cleanability**

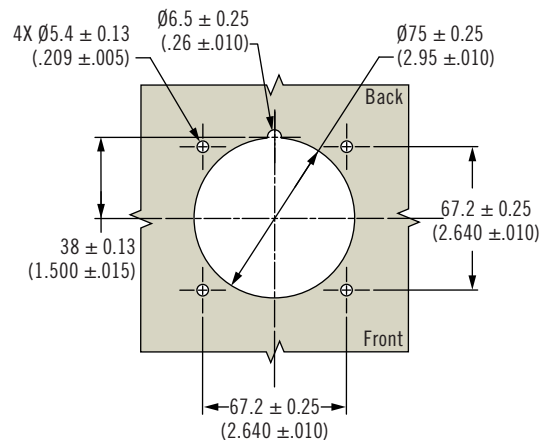
- Snap-open channels simplify wire management**

- Factory assembled and ready for use**

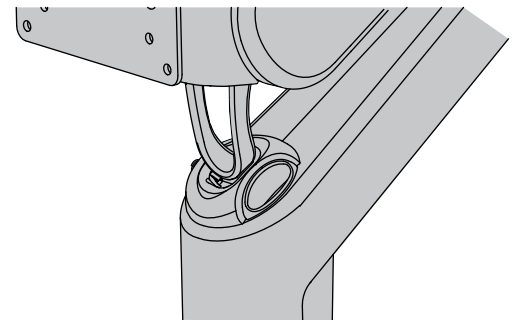
- Optional locking mechanism in stowed position**



Panel Preparation



Optional Locking Mechanism



Other options available. For complete details on variety, part numbers, installation and specification, go to



www.southco.com/AV

Dimensions in millimeters (inch) unless otherwise stated

southco
CONNECT · CREATE · INNOVATE

AV Series Dynamic Mounting Arm

Tilt and swivel · Double arm · Height Adjusting

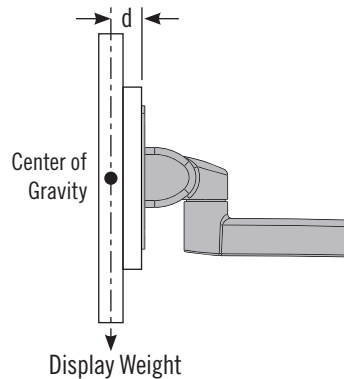


65C

Specification and Selection

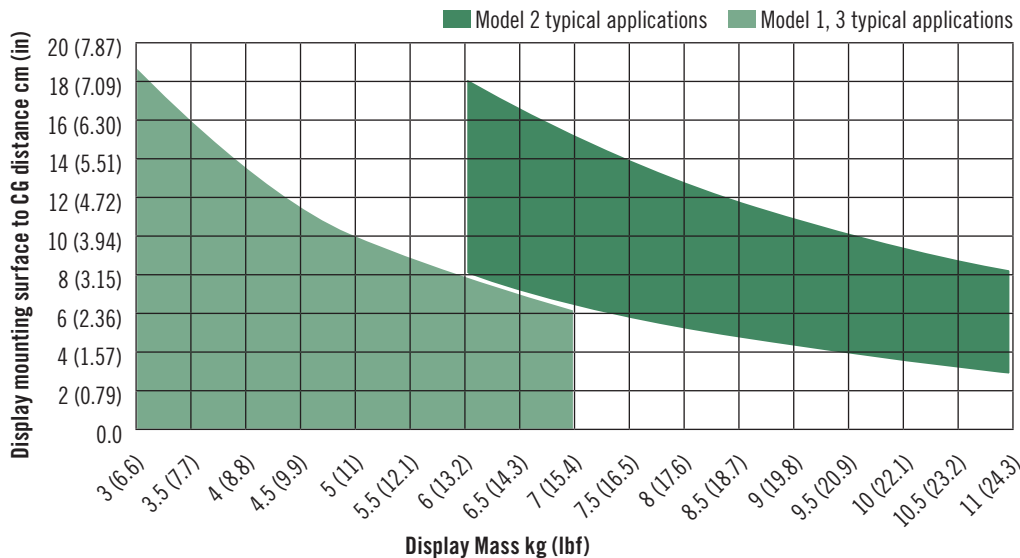
Step 1

Determine display weight and distance (d) from mounting surface to center of gravity.



Step 2

Use chart below to select model (1, 2 or 3).



Step 3

Complete part number by selecting model and color options below.

AV - D32-61 W **K** 13 **S** - **F**

Optional Locking Mechanism	
K	Optional Locking Mechanism
C	With Locking Mechanism
Omit	Non-Locking

Model	Tilt Torque N•m (in lbf)		Maximum Display Weight kg(lb)
	Reverse	Forward	
S 1	7.9 (70)	1.13 (10)	7 (15)
2	15.4 (136)	2.26 (20)	10 (22)
3	8.6 (76)	6.0 (53)	7 (15)

F	Color
50	Black
76	White

Material and Finish

Aluminum alloy, powder coated

Performance Details

Cycle performance: 20,000 cycles.

Swivel Torque:

At Device Mount: 4.3 N-m (38 in-lbf)

At Center Joint: 6.0 N-m (53 in-lbf)

At Mounting Surface: 6.8 N-m (60 in-lbf)

Average ultimate load:

490N (110 lbf)

See trade drawing for details.

Part Number Example:

AV-D32-61WC131-50 = Model 1, locking, black



AV Series Dynamic Mounting Arm

Tilt and swivel · Double arm · Height Adjusting

- **Intuitive grab and move operation enhances the user experience**

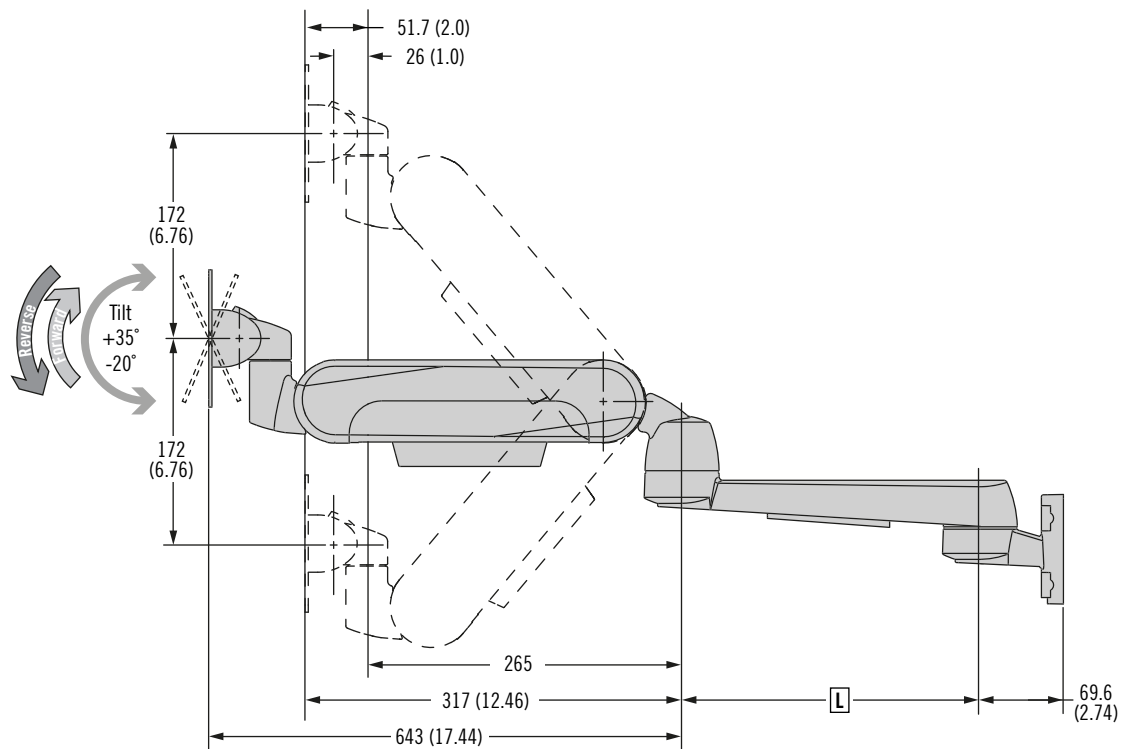
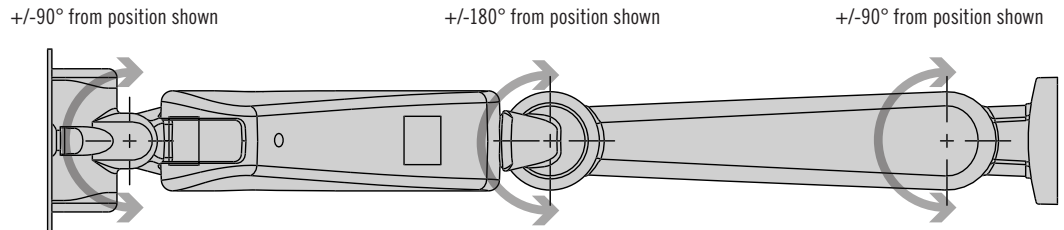
No knobs or tools required to reposition the display

Precise control of operating effort ensures ideal “feel” and eliminates “drift”

Holds securely, even in applications with dynamic loading

- **Consistent repeatable operation**
- **Fully enclosed for optimum cleanability**
- **Snap-open channels simplify wire management**
- **Factory assembled and ready for use**

For mounting options and installation detail please refer to page 67



Other options available. For complete details on variety, part numbers, installation and specification, go to



www.southco.com/AV

Dimensions in millimeters (inch) unless otherwise stated

AV Series Dynamic Mounting Arm

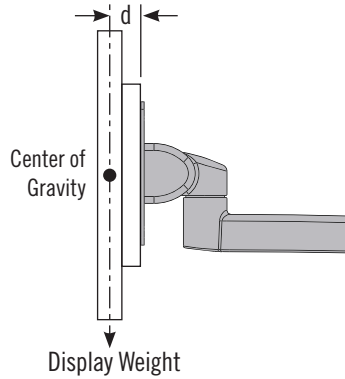
Tilt and swivel · Double arm · Height Adjusting



Specification and Selection

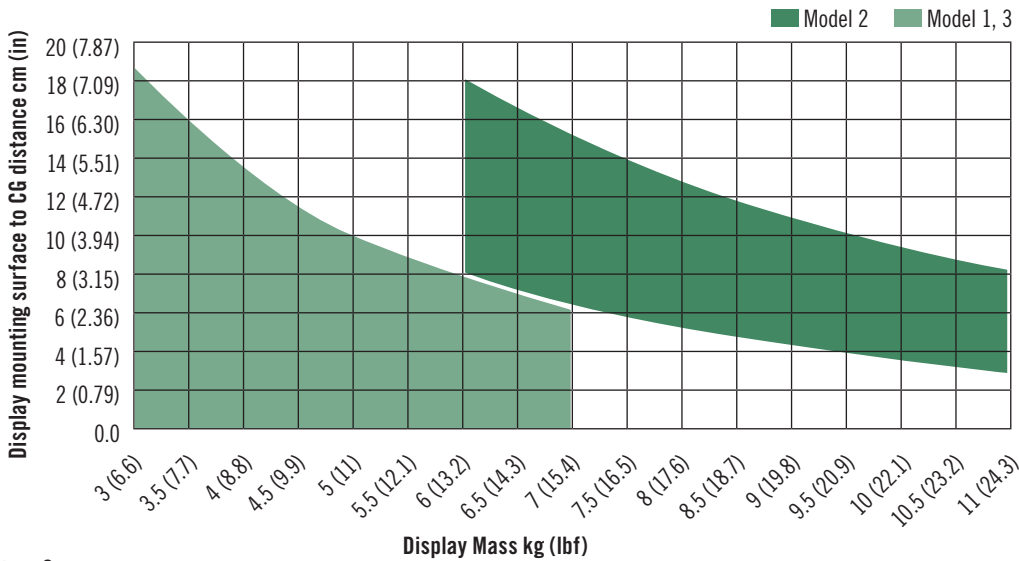
Step 1

Determine display weight and distance (d) from mounting surface to center of gravity.



Step 2

Use chart below to select model (1, 2 or 3).



Step 3

Complete part number by selecting model and color options below.

AV - D32 - L 1 K S - F

L	Length
72W	Height adjusting + 250mm lateral arm
79W	Height adjusting + 325mm lateral arm

F	Color
50	Black
76	White

S	Model
1	Counterbalanced, Low Torque
2	Counterbalanced, High Torque
3	Dynamic applications

K	Mounting Style
4	Wall mount, Front
6	Pole mount (35-38mm Pole)
7	Rail mount

Material and Finish

Aluminum alloy, powder coated

Performance Details

Cycle performance: 20,000 cycles.

Swivel Torque:

At Device Mount: 4.3 N-m (38 in-lbf)

At Center Joint: 6.0 N-m (53 in-lbf)

At Mounting Surface: 6.0Nm (53in-lbf)

Average ultimate load:

490N (110 lbf)

See trade drawing for details.

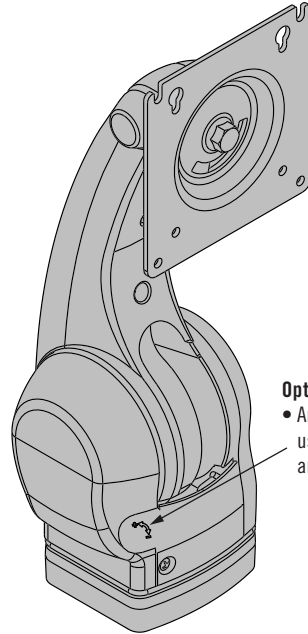


AV Series Dynamic Mounting Arm

Tilt and swivel · Height adjustment · Single arm

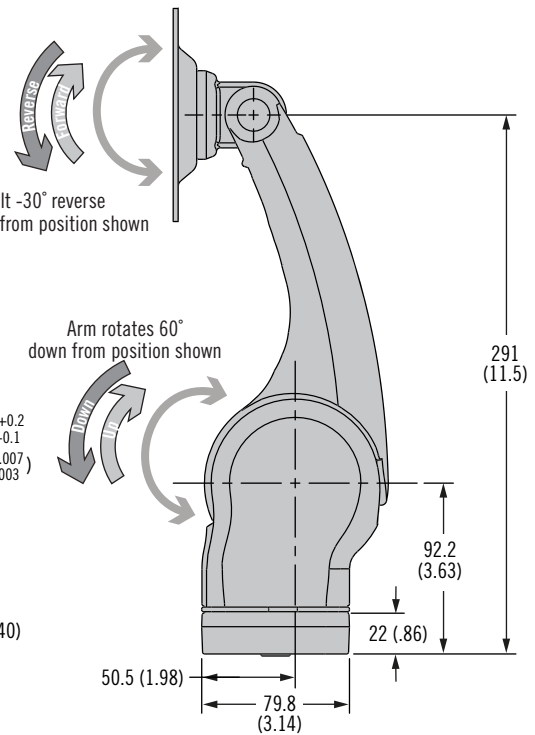
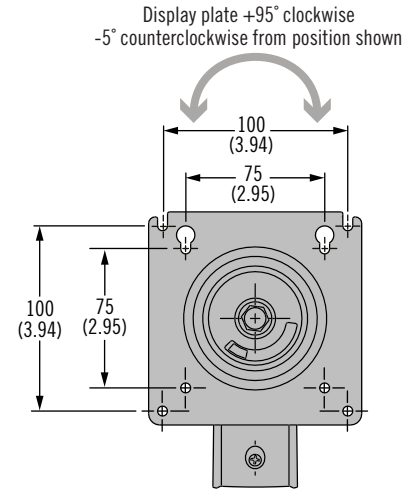
- Intuitive grab and move operation enhances the user experience**
 No knobs or tools required to reposition the display
 Precise control of operating effort ensures ideal “feel” and eliminates “drift”
- Screw-fit covers to secure cables**
 Easy display installation and replacement
- Factory assembled and ready for use**

Product Detail

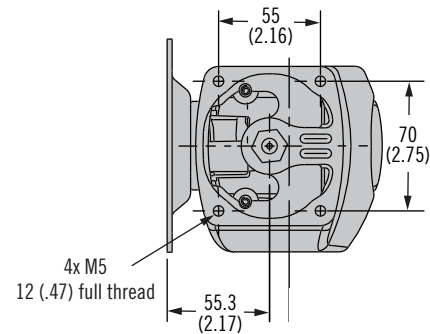
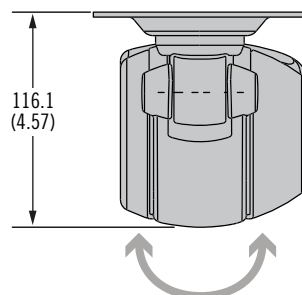
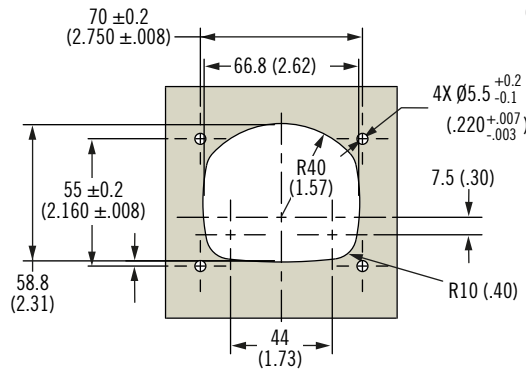


Optional adjustable version

- Arm counterbalance adjustment using 8mm hex key inside lower arm front cover



Panel Preparation



Arm swivel to base ±90° from position shown

Dimensions in millimeters (inch) unless otherwise stated



VESA® MIS-D, 100, C

VESA and VESA MOUNTING COMPLIANT are registered trademarks of Video Electronics Standards Association

Other options available. For complete details on variety, part numbers, installation and specification, go to



www.southco.com/AV

AV Series Dynamic Mounting Arm

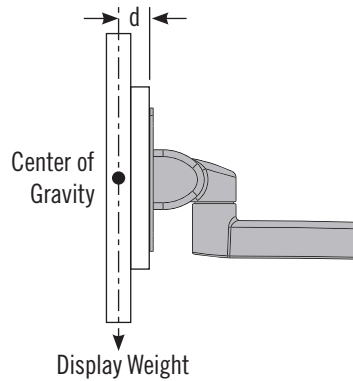
Tilt and swivel · Height adjusting · Single arm



Specification and Selection

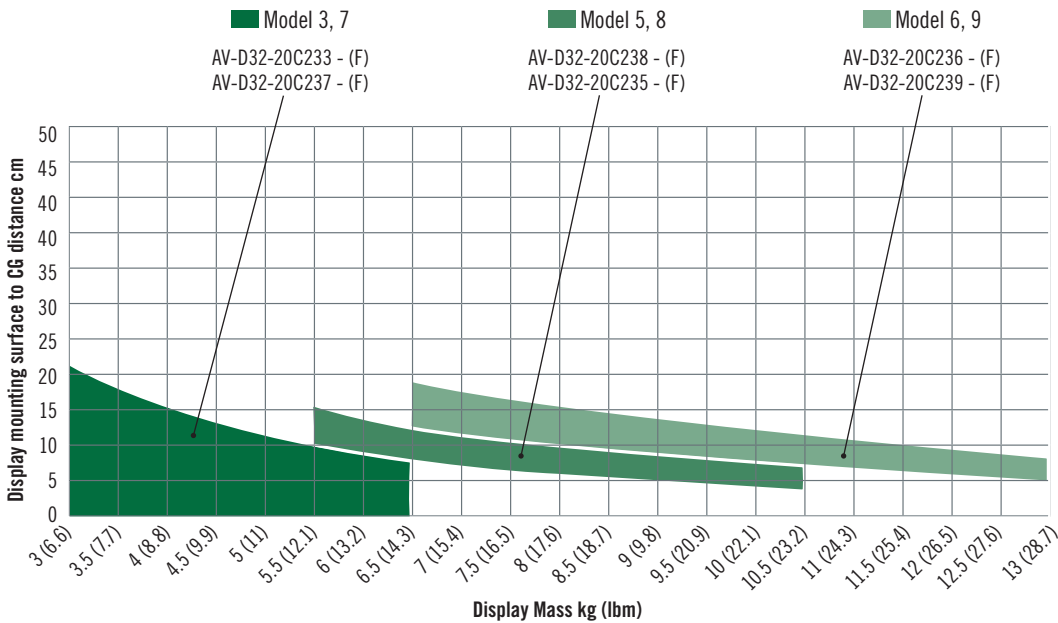
Step 1

Determine display weight and distance (d) from mounting surface to center of gravity.



Step 2

Use chart below to select model



Step 3

Complete part number by selecting adjustment type and color options below.

Model [S]	Adjustable	Display mass kg (lbm)	Tilt Torque N•m (in lbf)		Swivel Torque N•m (in lbf)
			Reverse	Forward	
3	No	3.6 - 6.8 (8-15)	8.0 (70.8)	6.4 (56.9)	2.8 (24.8)
5	No	5.6 - 10.4 (12.3-22.9)	11.3 (100.5)	8.5 (75.2)	
6	No	6 - 13 (13.2 - 22.9)	14.7 (130)	10.5 (93.6)	
7	Yes	Max 6.8 (15)	8.0 (70.8)	6.4 (56.9)	
8	Yes	Max 10.4 (22.9)	11.3 (100.5)	8.5 (75.2)	
9	Yes	Max 13 (28.7)	14.7 (130)	10.5 (93.6)	

AV - D32 - 20C23 [S] - [F]

[F]	Color
50	Black
76	White

- Smooth operation enhances the user experience
- Adjust the display without knobs or tools
- Holds securely in every position

Material and Finish

Aluminum alloy, powder coated steel & polymer components

Performance Details *

Cycle performance: 20,000 cycles within ± 20% of static torque specification

Max. dynamic working load:

See part table

Ultimate load:

1181N (265 lbm) downward

540N (121 lbm) upward

Part Number

See table